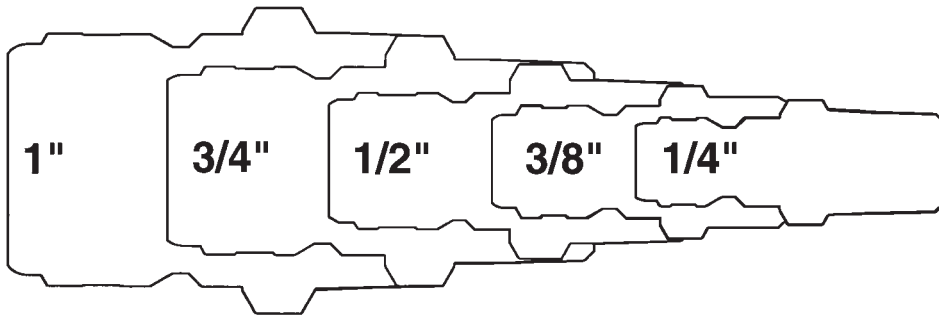


Hydraulic Plug Profile Chart

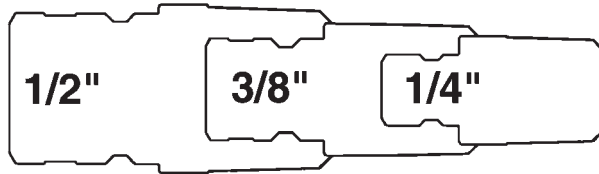
Industry/Competitor
Interchange

Dixon Straight Thru Fittings, page 357



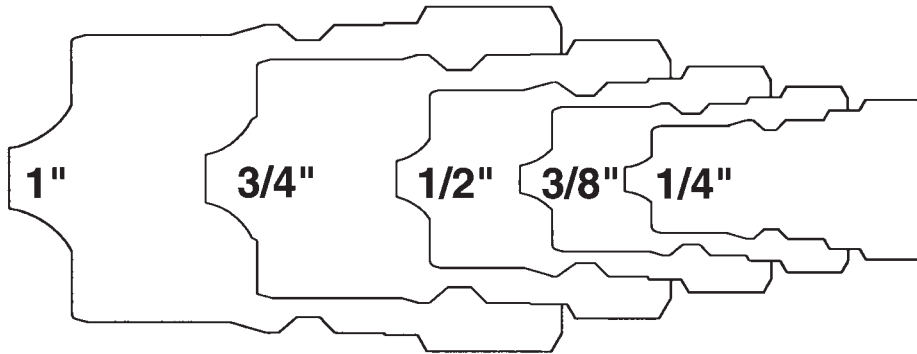
Perfecting E Series
Parker ST
Hansen ST

Flow Mate Couplings, page 358



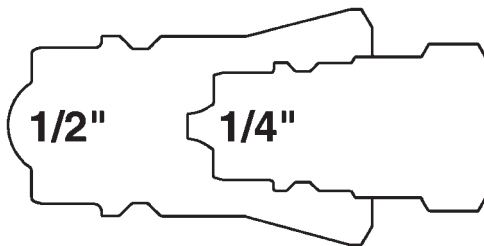
Perfecting CM Series
Parker Moldmate
Hansen Flo-Temp

Dixon Industrial Fittings, page 361



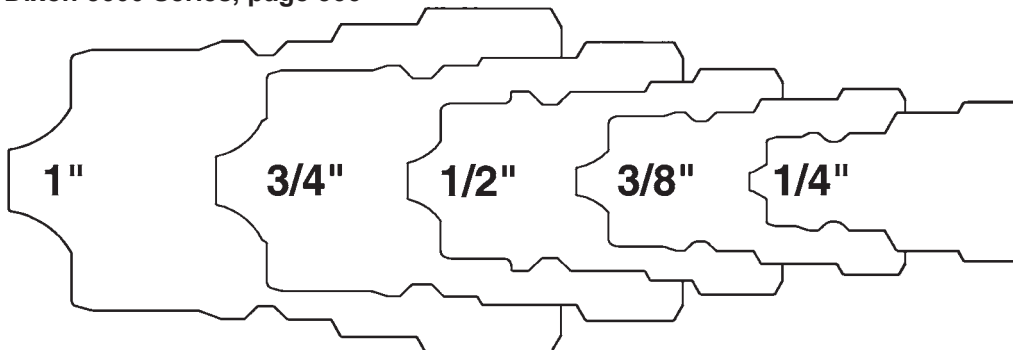
ISO 7241-B
Perfecting H Series
Hansen HK
Aeroquip FD45
Parker 60

Dixon Agricultural Fittings, page 363



Perfecting R Series
Aeroquip FD76
Parker/Pioneer 4000
Safeway S20

Dixon 5600 Series, page 366



ISO 7241-A
Perfecting K Series
Aeroquip 5600
Parker 6600