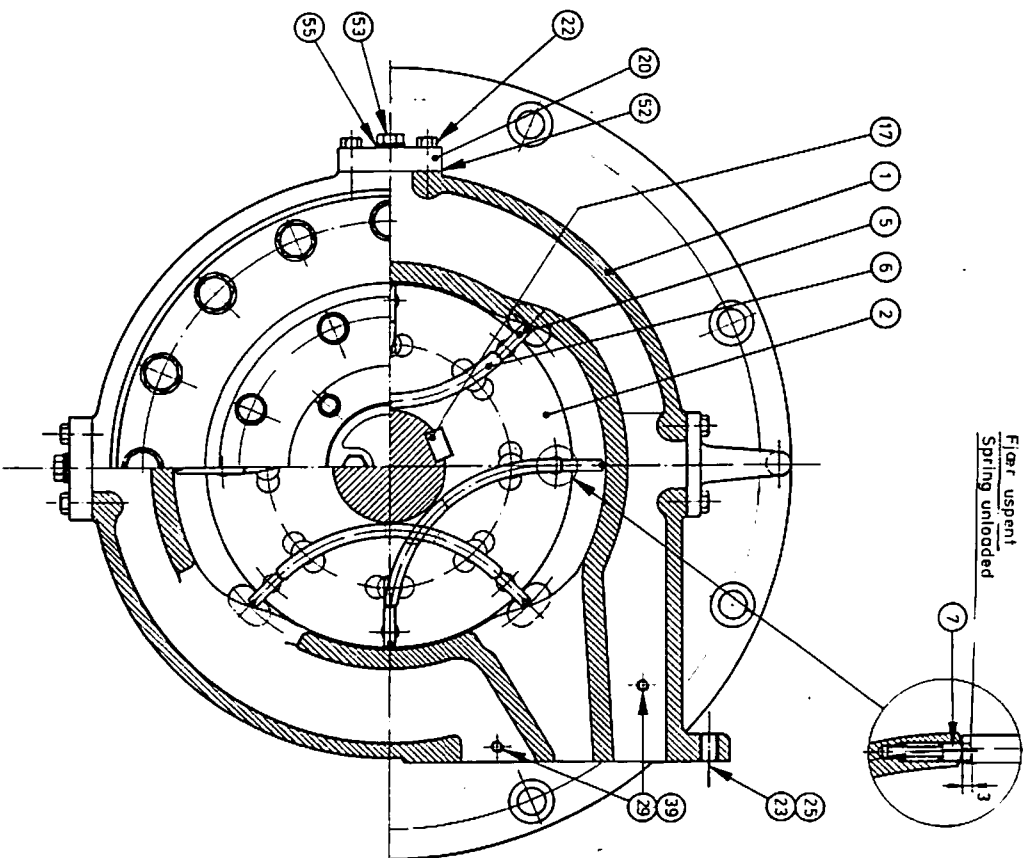


Tiltrekkingsmoment for pos no.13 ca. 40 kpm. Gjengene og underliggsskivene smøres med grease.  
 Tightening torque for item no.13 approx. 40 kpm. The threads and the washers to be lubricated with grease.



Total klarings rotor - sideløkk : 0,04 - 0,08  
 Total clearance between rotor and sidecovers : 0,04 - 0,08

Norwich		HYDRAULIC MOTOR		TYPE MH 230 F		W 221/97	
Model	Code	Part No.	Rev.	Material	Quantity	Notes	Remarks
1	2	3	4	5	6	7	8
9	10	11	12	13	14	15	16
17	18	19	20	21	22	23	24
25	26	27	28	29	30	31	32
33	34	35	36	37	38	39	40
41	42	43	44	45	46	47	48
49	50	51	52	53	54	55	56
57	58	59	60	61	62	63	64