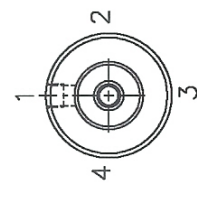
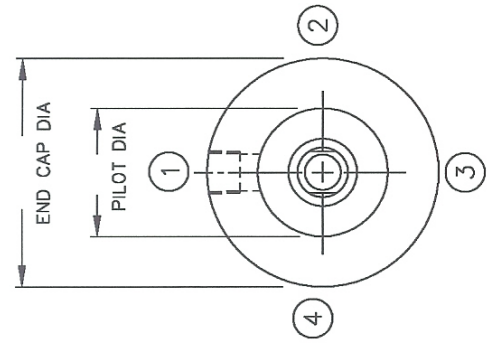
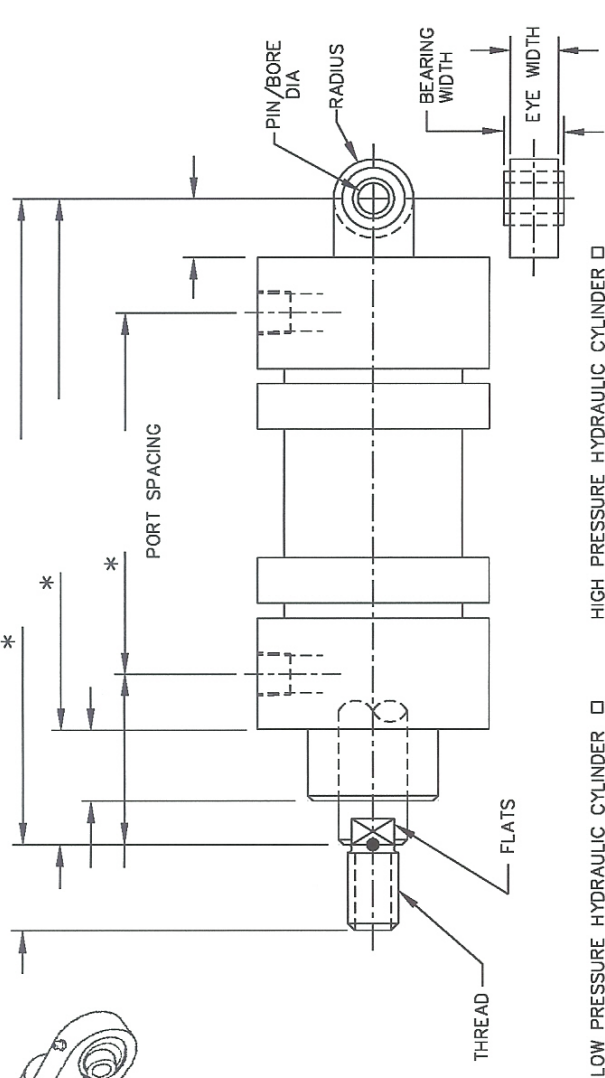
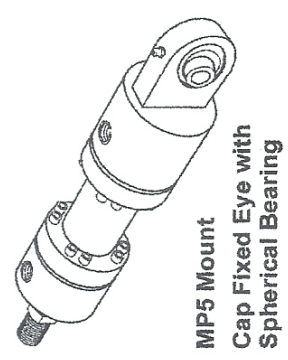


PENINSULAR MILL CYLINDER SIZING CHART

CAP FIXED EYE WITH SPHERICAL BEARING (MP5)



INCH CYLINDER METRIC CYLINDER AIR CYLINDER LOW PRESSURE HYDRAULIC CYLINDER HIGH PRESSURE HYDRAULIC CYLINDER

IF HYDRAULIC BOX IS CHECKED, INDICATE WORKING PRESSURE: _____ INDICATE MAXIMUM RATED PRESSURE: _____ SAFETY FACTOR REQUIRED: _____

BORE DIAMETER: _____ STROKE LENGTH: _____ PISTON ROD DIAMETER: _____

PISTON ROD END THREAD: MALE FEMALE OTHER / SPECIFY THREAD DIA., PITCH & LENGTH (I.E., 3/4"-16 x 1.125) _____

SLEEVE (TUBE) MATERIAL: STEEL OTHER / SPECIFY MATERIAL: _____

CYLINDER HEAD MATERIAL: STEEL OTHER / SPECIFY MATERIAL: _____

CUSHIONS: YES NO IF YES: / SPECIFY ROD END ONLY CAP END ONLY CUSHION AT BOTH ENDS

ROD END CUSHION ADJUSTMENT LOCATION (1,2,3 OR 4): _____ CAP END CUSHION ADJUSTMENT LOCATION (1,2,3 OR 4): _____

INDICATE TYPE OF PORT: NPTF SAE O-RING 4-BOLT FLANGE METRIC OTHER (SPECIFY) _____

INDICATE PORT SIZE: _____ BOTH ENDS _____ ROD END _____ CAP END (1,2,3 OR 4) _____

INDICATE LOCATION OF CYLINDER PORTS: _____ ROD END (1,2,3 OR 4) _____ CAP END (1,2,3 OR 4) _____

SUPPLY EXISTING CYLINDER MANUFACTURER & MODEL NUMBER INFORMATION IF KNOWN: _____

SUPPLY ALL PERTINENT INFORMATION ON EXISTING CYLINDER TAG: _____

OPERATING FLUID: _____ OPERATING TEMPERATURE: _____ OPERATING ENVIRONMENT: _____

SPECIAL OR OPTIONAL FEATURES REQUIRED: _____

-FEATURE LOCATION KEY-
(VIEWED FACING ROD END.)

IF NECESSARY, ATTACH DRAWINGS, SKETCHES OR PHOTOGRAPHS TO PROVIDE ADDITIONAL DETAIL REGARDING YOUR CYLINDER AND/OR APPLICATION
 ANY QUESTIONS? CALL PENINSULAR AT 1-800-526-7968 OR (586) 775-7211

27650 Groesbeck Highway Roseville Michigan 48066-2759 Telephone: 586-775-7211 Fax: 586-775-4545 MEMBER NIFPA
 Toll Free: 1-800-526-7968 Internet: www.peninsularcylinders.com Email: sales@peninsularcylinders.com
 REL. 10-14-02

