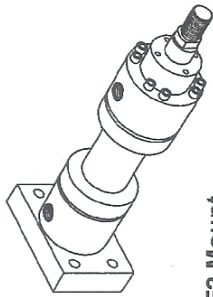
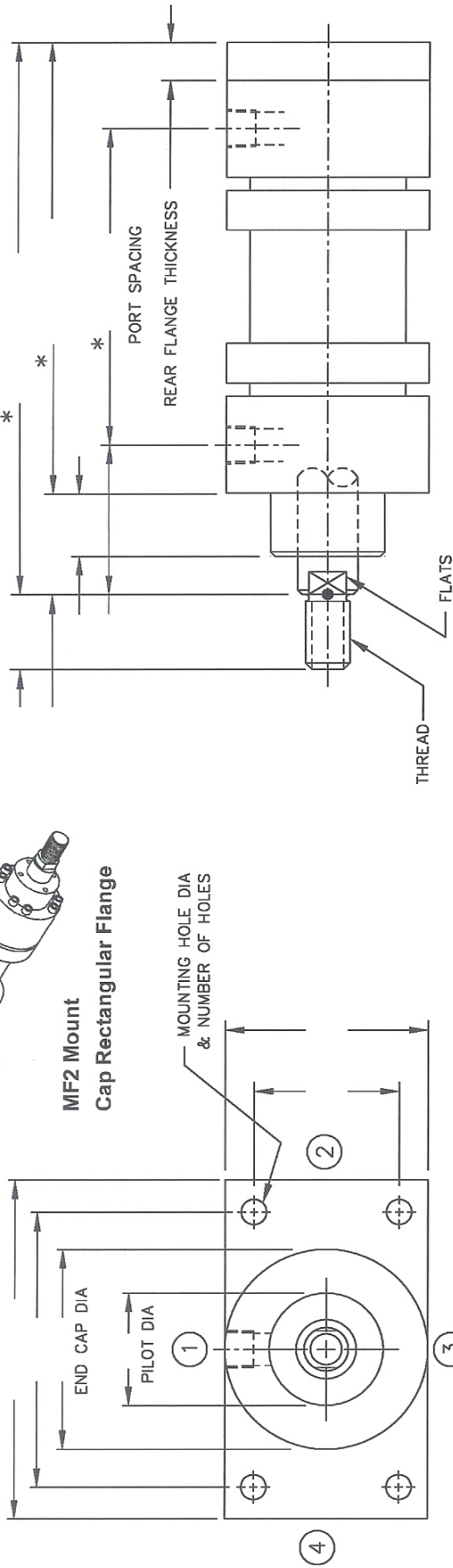


# CAP RECTANGULAR FLANGE (MF2)

# PENINSULAR MILL CYLINDER SIZING CHART



**MF2 Mount  
Cap Rectangular Flange**



INCH CYLINDER  METRIC CYLINDER  AIR CYLINDER  LOW PRESSURE HYDRAULIC CYLINDER  HIGH PRESSURE HYDRAULIC CYLINDER

IF HYDRAULIC BOX IS CHECKED, INDICATE WORKING PRESSURE: \_\_\_\_\_ INDICATE MAXIMUM RATED PRESSURE: \_\_\_\_\_ SAFETY FACTOR REQUIRED: \_\_\_\_\_

BORE DIAMETER: \_\_\_\_\_ STROKE LENGTH: \_\_\_\_\_ PISTON ROD DIAMETER: \_\_\_\_\_

PISTON ROD END THREAD: MALE  FEMALE  OTHER  / SPECIFY THREAD DIA., PITCH & LENGTH (I.E., 3/4"-16 x 1.125) \_\_\_\_\_

SLEEVE (TUBE) MATERIAL: STEEL  OTHER  / SPECIFY MATERIAL: \_\_\_\_\_

CYLINDER HEAD MATERIAL: STEEL  OTHER  / SPECIFY MATERIAL: \_\_\_\_\_

CUSHIONS: YES  NO  IF YES: / SPECIFY ROD END ONLY  CAP END ONLY  CUSHION AT BOTH ENDS

ROD END CUSHION ADJUSTMENT LOCATION (1,2,3 OR 4): \_\_\_\_\_ CAP END CUSHION ADJUSTMENT LOCATION (1,2,3 OR 4): \_\_\_\_\_

INDICATE TYPE OF PORT: NPTF  SAE O-RING  4-BOLT FLANGE  METRIC  OTHER (SPECIFY) \_\_\_\_\_

INDICATE PORT SIZE: BOTH ENDS \_\_\_\_\_ ROD END \_\_\_\_\_ CAP END \_\_\_\_\_

INDICATE LOCATION OF CYLINDER PORTS: \_\_\_\_\_ CAP END (1,2,3 OR 4) \_\_\_\_\_

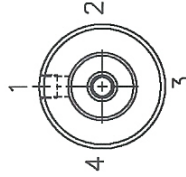
SUPPLY EXISTING CYLINDER MANUFACTURER & MODEL NUMBER INFORMATION IF KNOWN: \_\_\_\_\_

SUPPLY ALL PERTINENT INFORMATION ON EXISTING CYLINDER TAG: \_\_\_\_\_

OPERATING FLUID: \_\_\_\_\_ OPERATING TEMPERATURE: \_\_\_\_\_ OPERATING ENVIRONMENT: \_\_\_\_\_

SPECIAL OR OPTIONAL FEATURES REQUIRED: \_\_\_\_\_

---FEATURE LOCATION KEY---  
(VIEWED FACING ROD END.)



IF NECESSARY, ATTACH DRAWINGS, SKETCHES OR PHOTOGRAPHS TO PROVIDE ADDITIONAL DETAIL REGARDING YOUR CYLINDER AND/OR APPLICATION  
ANY QUESTIONS? CALL PENINSULAR AT 1-800-526-7968 OR (586) 775-7211

27650 Groesbeck Highway Roseville Michigan 48066-2759 Telephone: 586-775-7211 Fax: 586-775-4545  
Toll Free: 1-800-526-7968 Internet: www.peninsularcylinders.com Email: sales@peninsularcylinders.com

