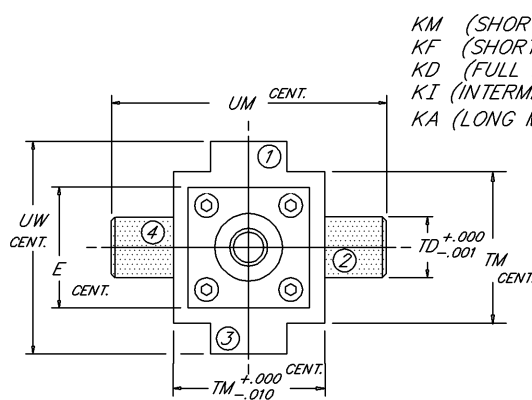


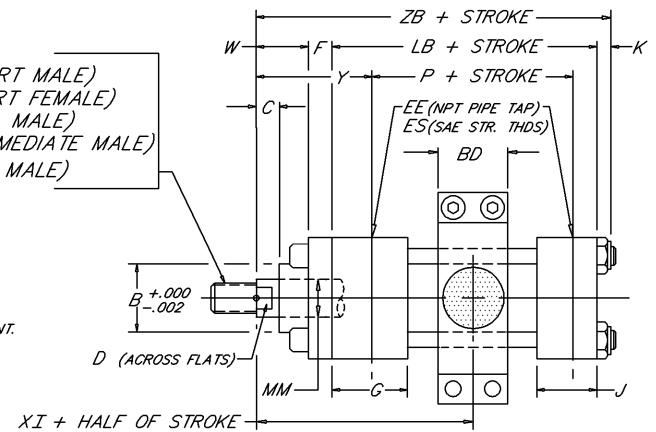
INTERMEDIATE TRUNNION

Heavy Duty Hydraulic Cylinder
 3000 P.S.I. Working Pressure
 5000 P.S.I. Rated Pressure
 Peninsular Mounting Style:

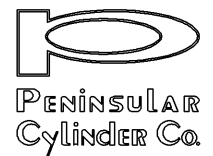
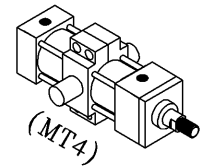
HP 6



KM (SHORT MALE)
 KF (SHORT FEMALE)
 KD (FULL MALE)
 KI (INTERMEDIATE MALE)
 KA (LONG MALE)



BORE	ROD THREAD X LENGTH					NPT/SAE																				
	MM	KM & KF	KD	KI	KA	B	BD	C	D	E	EE	ES	F	G	J	K	LB	P	TD	TM	UM	UW	W	XI	Y	ZB
1.50	.62	7/16"-20 x .75	5/8"-18 x .75	1/2"-20 x .75	1/2"-20 x 1.12	1.124	1.19	.38	.50	2.50	1/2	-8	.38	1.75	1.50	.53	4.62	2.88	1.000	3.000	5.00	4.00	.62	3.44	2.00	6.15
	1.00	3/4"-16 x 1.12	1"-14 x 1.12	7/8"-14 x 1.12	7/8"-14 x 1.87	1.499	1.44	.50	.88	3.00	1/2	-8	.62	1.75	1.50	.69	4.62	2.88	1.375	3.500	6.25	4.75	1.00	3.81	2.38	6.53
2.00	1.00	3/4"-16 x 1.12	1"-14 x 1.12	7/8"-14 x 1.12	7/8"-14 x 1.87	1.499	1.44	.50	.88	3.00	1/2	-8	.62	1.75	1.50	.69	4.62	2.88	1.375	3.500	6.25	4.75	.75	3.94	2.38	6.68
	1.38	1"-14 x 1.62	1 3/8"-12 x 1.62	1 1/4"-12 x 1.62	1 1/4"-12 x 2.50	1.999	1.44	.62	1.12	3.50	1/2	-8	.62	1.75	1.50	.69	4.62	2.88	1.375	3.500	6.25	4.75	1.00	4.19	2.62	6.93
2.50	1.00	3/4"-16 x 1.12	1"-14 x 1.12	7/8"-14 x 1.12	7/8"-14 x 1.87	1.499	1.44	.50	.88	3.50	1/2	-8	.62	1.75	1.50	.69	4.75	3.00	1.375	4.000	6.75	5.25	.75	3.94	2.38	6.81
	1.38	1"-14 x 1.62	1 3/8"-12 x 1.62	1 1/4"-12 x 1.62	1 1/4"-12 x 2.50	1.999	1.44	.62	1.12	3.50	1/2	-8	.62	1.75	1.50	.69	4.75	3.00	1.375	4.000	6.75	5.25	1.00	4.19	2.62	7.06
3.25	1.75	1 1/4"-12 x 2.00	1 3/4"-12 x 2.00	1 1/2"-12 x 2.00	1 1/2"-12 x 3.00	2.374	1.44	.75	1.50	4.50	3/4	-12	.75	2.00	1.75	.81	5.50	3.50	1.750	5.000	8.50	6.75	.88	4.88	2.75	7.94
	2.00	1 1/2"-12 x 2.25	2"-12 x 2.25	1 3/4"-12 x 2.25	1 3/4"-12 x 3.50	2.624	1.44	.88	1.69	5.00	3/4	-12	.88	2.00	1.75	.81	5.50	3.50	1.750	5.000	8.50	6.75	1.12	4.94	3.00	8.18
4.00	1.75	1 1/4"-12 x 2.00	1 3/4"-12 x 2.00	1 1/2"-12 x 2.00	1 1/2"-12 x 3.00	2.374	1.44	.75	1.50	5.00	3/4	-12	.88	2.00	1.75	.81	5.75	3.75	1.750	5.500	9.00	7.25	1.00	4.94	3.00	8.44
	2.00	1 1/2"-12 x 2.25	2"-12 x 2.25	1 3/4"-12 x 2.25	1 3/4"-12 x 3.50	2.624	1.44	.88	1.69	5.00	3/4	-12	.88	2.00	1.75	.81	5.75	3.75	1.750	5.500	9.00	7.25	1.12	5.06	3.12	8.56
5.00	2.50	1 7/8"-12 x 3.00	2 1/2"-12 x 3.00	2 1/4"-12 x 3.00	2 1/4"-12 x 4.50	3.124	1.44	1.00	2.06	6.50	3/4	-12	.88	2.00	1.75	1.06	6.25	4.25	1.750	7.000	10.50	9.00	1.12	5.06	3.12	9.31
	3.00	2 1/4"-12 x 3.50	3"-12 x 3.50	2 3/4"-12 x 3.50	2 3/4"-12 x 5.50	3.749	1.44	1.00	2.62	7.50	1	-16	1.00	2.25	2.25	1.12	7.38	4.88	2.000	8.500	12.50	10.25	1.38	5.31	3.38	9.57
6.00	3.50	2 1/2"-12 x 3.50	3 1/2"-12 x 3.50	3 1/4"-12 x 3.50	3 1/4"-12 x 6.50	4.249	1.44	1.00	3.00	8.50	1	-16	1.00	2.25	2.25	1.12	7.38	4.88	2.000	8.500	12.50	10.25	1.38	5.31	3.38	9.57
	4.00	3"-12 x 4.00	4"-12 x 4.00	3 3/4"-12 x 4.00	3 3/4"-12 x 7.50	4.749	2.94	1.00	3.38	9.50	1	-16	1.00	2.25	2.25	1.12	7.38	4.88	2.000	8.500	12.50	10.25	1.25	6.06	3.50	10.75



FILE: HP6S1.dwg
 REV: 03-16-02