

# CUSH-A-CLAW™

WWW.ZSI-INC.COM

800-323-7053

# ZSI

Manufacturers of Cushioned  
Clamping & Support Systems



The Cush-A-Claw™ Grabs on to your Tube, Pipe, or Hose and holds it in place. The unique one piece patented design allows for quick, simple, and easy installation. It will not rust because it's molded from the same choice TPE Material of some of our other products that you've come to know and trust.



[www.zsi-inc.com](http://www.zsi-inc.com)

# CUSH-A-CLAW™

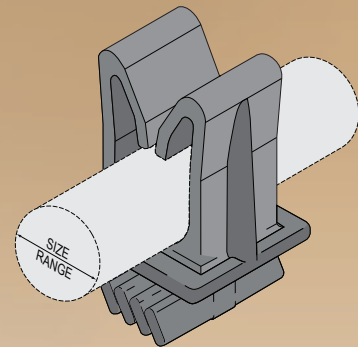
WWW.ZSI-INC.COM

800-323-7053

- Quick, Simple, and Easy Snap-in Installation of Tube, Pipe, or Hose
- Sure Grip Strut Base easily rotates into strut
- Will not Rust, Non Conducting
- Saves Time and Money
- Temp Range: -50° to 275° F
- Works Great Indoors or Outdoors
- Six Sizes of Tube and Three Sizes of EMT
- Designed for Light Duty Loads and Applications
- Prevents Galvanic Corrosion of Dissimilar Metals
- An Excellent Alternative to Steel, Stainless Steel, or Galvanized Clamps.



O.D. Tube Size			EMT Conduit Sizes		
Part No.	Size Range		Part No.	Size Range	
	O.D. Size	Inches		O.D. Size	Inches
CL-06	3/8"	0.375	EMT-1/2	1/2"	0.706
CL-08	1/2"	0.500	EMT-3/4	3/4"	0.922
CL-10	5/8"	0.625	EMT-1	1"	1.163
CL-12	3/4"	0.750			
CL-14	7/8"	0.875			
CL-18	1-1/8"	1.125			



Call 1-800-323-7053  
for more information.

42550 Executive Drive  
Canton, Michigan 48188  
Phone: 734-844-0055  
Fax: 734-844-0066

