



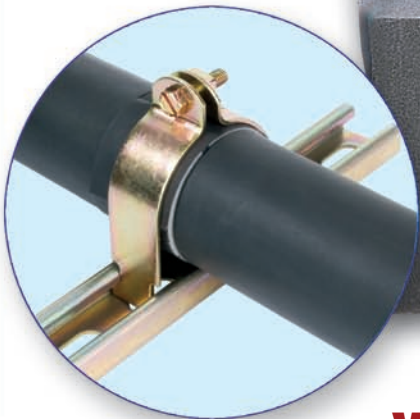
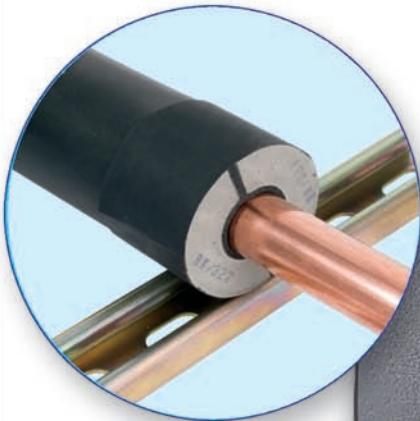
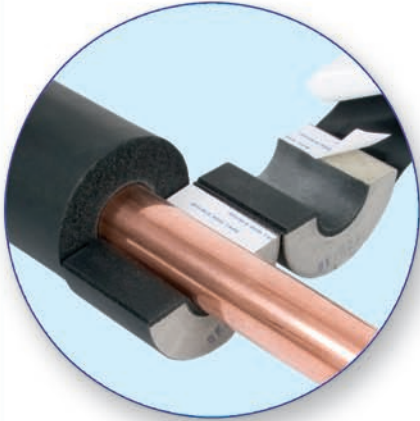
Cush-A-Therm™

Vapor Barrier Protection

CUSH-A-THERM™ CLAMP

The Cush-A-Therm Clamp is a fast and easy way to provide a crush-resistant, airtight seal for chilled refrigeration or mechanical pipe lines that require continuous insulation.

The rigid foam construction has an insulating tape inner lining which supports tube and absorbs vibration of operating pipelines. The outer cover consists of a special rubber coating which seals the cushion completely after installation in order to prevent condensation. Its strong closed-cell structure is ideal for liquid cooling lines to prevent condensation and save energy.



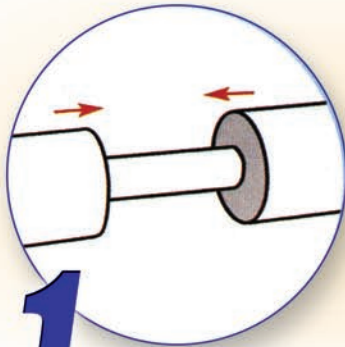
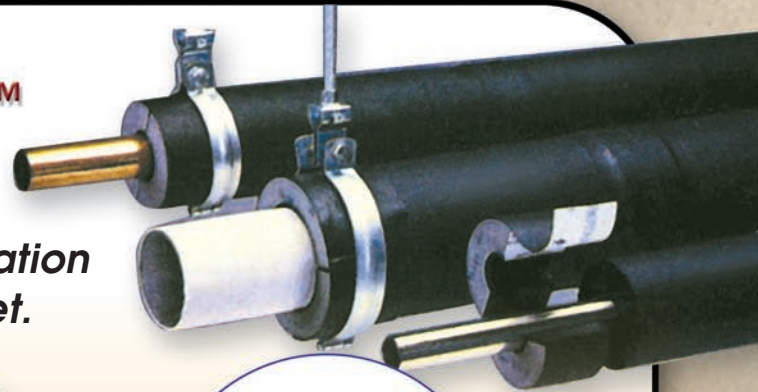
Visit www.zsi-inc.com

or Call 1-800-323-7053 for more information.

Cush-A-Therm™

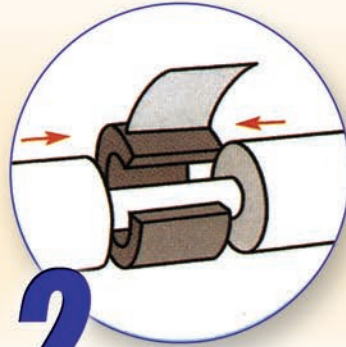
Installation is as easy as 1-2-3...

The only airtight, crush-resistant insulation clamp on the market.



1

Insulation slides over pipes.



2

Pipe hanger inserts are put in place & glued to insulation



3

Joints are wrapped & sealed with ProTape.

Dimensions (Inches)					Nominal 1/2" Wall Thickness		Nominal 3/4" Wall Thickness		Nominal 1" Wall Thickness		Nominal 1-1/2" Wall Thickness	
Hole Size	Copper Nom. I.D.	Pipe O.D.	IPS	Length	Part No.	Cushion O.D.	Part No.	Cushion O.D.	Part No.	Cushion O.D.	Part No.	Cushion O.D.
3/8 ID	1/4	3/8	-	2.953"	UX3812	1.33	UX3834	1.81	-	-	-	-
1/2 ID	3/8	1/2	1/4	2.953"	UX1212	1.44	UX1234	1.89	-	-	-	-
5/8 ID	1/2	5/8	3/8	2.953"	UX5812	1.56	UX5834	2.05	UX5810	2.54	-	-
3/4 ID	5/8	3/4	-	2.953"	UX3412	1.69	UX3434	2.22	UX3410	2.82	-	-
7/8 ID	3/4	7/8	1/2	2.953"	UX7812	1.81	UX7834	2.44	UX7810	2.82	UX7815	2.32
1-1/8 ID	1	1-1/8	3/4	2.953"	UX11812	2.19	UX11834	2.76	UX11810	3.06	UX11815	3.56
1-3/8 ID	1-1/4	1-3/8	1	2.953"	UX13812	2.31	UX13834	3.19	UX13810	3.33	UX13815	3.83
1-5/8 ID	1-1/2	1-5/8	1-1/4	2.953"	UX15812	2.56	UX15834	3.35	UX15810	3.65	UX15815	4.15
1-7/8 ID	-	1-7/8	-	2.953"	UX17812	2.81	UX17834	3.58	UX17810	4.43	UX17815	4.93
2-1/8 ID	2	2-1/8	-	2.953"	UX21812	3.23	UX21834	3.86	UX21810	4.16	UX21815	4.66
2-3/8 ID	2-1/4	2-3/8	2	2.953"	UX23812	3.48	UX23834	4.29	UX23810	3.92	UX23815	4.42
2-5/8 ID	2-1/2	2-5/8	-	3.937"	UX25812	4.13	UX25834	4.87	UX25810	4.87	UX25815	5.37
2-7/8 ID	-	2-7/8	2-1/2	3.937"	UX27812	4.38	UX27834	4.57	UX27810	4.67	UX27815	5.17
3-1/8 ID	3	3-1/8	-	3.937"	UX31812	4.63	UX31834	5.00	UX31810	5.14	UX31815	5.64
3-1/2 ID	-	3-1/2	3	3.937"	-	-	UX31234	5.35	UX31210	5.89	UX31215	6.39
3-5/8 ID	3-1/2	3-5/8	-	3.937"	UX35812	5.13	UX35834	5.94	-	-	-	-
4-1/8 ID	4	4-1/8	3-1/2	3.937"	UX41812	5.63	UX41834	6.14	UX41810	6.48	UX41815	6.98

- Maintains vapor barrier protection
- Prevents condensation
- Properly supports pipe and tube
- Absorbs vibration

ZSI

Manufacturers of Cushioned Clamp and Support Systems

www.zsi-inc.com

42550 Executive Drive • Canton, MI 48188, USA
Phone: 734-844-0055 • Fax: 734-844-0066

