

SIMPLEX HYDRAULIC TORQUE WRENCHES

■ Wide Variety

Simplex offers a wide variety of hydraulic torque wrenches available in light weight Square Drive design or the flattest Low Clearance wrenches available. These tools are the most versatile in the business. Optional attachments and accessories are available to complement both style wrenches.

■ WT-Series Square Drive Wrenches

The Simplex Square Drive wrench combines strength and simplicity to handle the toughest bolting jobs. Simplex square drive wrenches come with a push through drive in the 3/4", 1" and 1 1/2" models, eliminating pulling the drive out of a wrench to change drive direction. The WT-Series wrenches can react off the wrench body for close quarter applications. Several optional accessories are available.

■ WX-Series Low Clearance Wrenches

Simplex Low Clearance wrenches are the flattest wrench available, utilizing a patented low height piston. The Simplex WX series wrenches fit in places competitive wrenches cannot. The low clearance wrenches have a wide choice of links available in 1/16" increments. Metric sizes are also available. Several optional accessories are available such as hex reducers, hex to square drive adaptors and different reaction arms.

■ Torque Wrench Pumps and Accessories

Simplex torque wrench pumps are available in both electric and air power. Simplex electric pumps are smooth running, continuous duty pumps with permanent magnet motors that will start and run under full load on as little as 60 VAC. An integrated auto shut-off switch, along with aluminum reservoir, keep the oil and pump cool and helps prevent pump breakdown. Hoses are twin style with a 4:1 safety factor and the pump mounted gauge reads out in 100 psi increments.

■ WT-Series Square Drives See Pages 94 & 95



■ WX-Series Low Clearance See Pages 96 & 97



■ Torque Wrench Pumps See Pages 98 & 99



■ Accessories See Page 99



TORQUE WRENCHES

SQUARE DRIVE WRENCHES



When roller coasters at a popular theme park needed maintenance, park engineers called on Simplex for solutions. Assembly of a critical drive shaft required precision torquing and minimal down time. Simplex power units and square drive wrenches filled the park's needs, saving significant cost and down time.

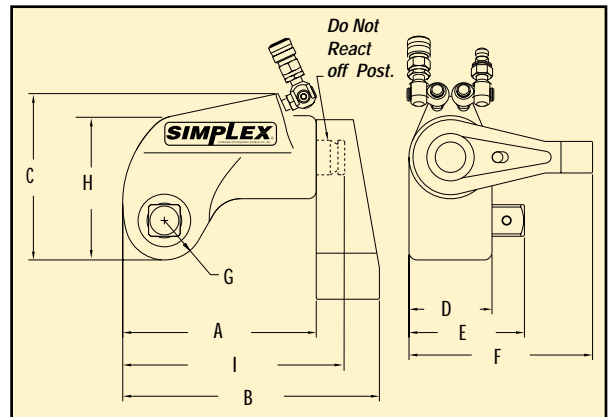
- Harden alloy square drive provide long life.
- No reaction pawl, **ELIMINATES** tool lockup.
- 27° Stroke for high performance and speed.
- Torque chart & safety information engraved on the tool.
- Push through square drive switches from loosen to tighten instantly.
- Light weight, high torque ratio.
- Compact Uni-Body design for maximum strength.
- Accurate to within $\pm 3\%$.
- Slim nose radius for easy positioning in close quarters.
- No leak couplers that swivel on double axis for easy operation.
- Custom wrenches available upon request.
- Special reaction arms and reaction arm extensions available.
- Anti-backlash mechanism prevents tool from backdriving.
- Internal reaction arm spline allows operator to react against the tool body without risk of damage.

Optional Wrench Handle
 Optional handles are available for the WT-5, WT-10 & WT-27. The handle can be screwed on either side of the wrench or on top of the wrench.

Order #: WCH-1



Rail car shock mounting bolts require fast & accurate torquing for change out & maintenance. This rail car maintenance shop relies on a Simplex torque wrench to quickly & easily torque bolts to demanding railroad specifications. "The compact size fits where other wrenches would not & provides more than enough power to do the job right."



SQUARE DRIVE WRENCH SPECIFICATIONS

Model Number	A Length (in.)	B Length (in.)	C Height (in.)	D Width (in.)	E Width (in.)	F Width (in.)	G Radius (in.)	H Height (in.)	I Length (in.)	Wgt. (lbs.)	Output (ft./lbs.)	Square Drive (in.)	Available Socket Size (in.)	Available Socket Size (mm)
WT-2	4.68	6.10	4.20	2.00	2.76	4.42	0.98	3.42	5.32	3.90	1,270	3/4	1/2 - 2 3/8	13 - 60
WT-3	6.10	8.10	5.30	2.62	3.68	5.81	1.30	4.54	6.68	9.00	3,330	1	3/4 - 4 1/2	19 - 114
WT-5	8.00	10.74	6.99	3.61	5.06	7.98	1.70	6.05	9.48	19.00	7,170	1 1/2	1 5/16 - 5 3/8	33 - 137
WT-10	9.21	12.21	7.79	3.93	5.43	8.72	1.95	6.70	10.36	29.00	11,010			
WT-27	12.29	16.29	10.19	5.26	7.73	11.63	2.43	8.82	13.87	70.00	27,200	2 1/2	1 5/8 - 9 1/4	41 - 235

SQUARE DRIVE WRENCHES

TORQUE WRENCHES



SOCKETS FOR 3/4", 1" & 1 1/2" DRIVE WRENCHES

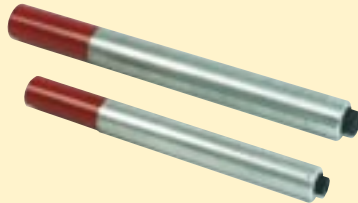
Model Number for 3/4" Drive WT-2 Wrench	Socket Size (in.)	Model Number for 1" Drive WT-3 Wrench	Socket Size (in.)	Model Number for 1" Drive WT-3 Wrench	Socket Size (in.)	Model Number for 1" Drive WT-3 Wrench	Socket Size (in.)	Model Number for 1 1/2" Drive WT-5 & 10 Wrench	Socket Size (in.)	Model Number for 1 1/2" Drive WT-5 & 10 Wrench	Socket Size (in.)
WST1212	3/4 x 3/4	WST1612	1 x 3/4	WST1633	1 x 2 1/16	WST1654	1 x 3 3/8	WST2422	1 1/2 x 1 3/8	WST2443	1 1/2 x 2 11/16
WST1213	3/4 x 13/16	WST1613	1 x 13/16	WST1634	1 x 2 1/8	WST1655	1 x 3 7/16	WST2423	1 1/2 x 1 7/16	WST2444	1 1/2 x 2 3/4
WST1214	3/4 x 7/8	WST1614	1 x 7/8	WST1635	1 x 2 3/16	WST1656	1 x 3 1/2	WST2424	1 1/2 x 1 1/2	WST2445	1 1/2 x 2 13/16
WST1215	3/4 x 15/16	WST1615	1 x 15/16	WST1636	1 x 2 1/4	WST1657	1 x 3 9/16	WST2425	1 1/2 x 1 9/16	WST2446	1 1/2 x 2 7/8
WST1216	3/4 x 1	WST1616	1 x 1	WST1637	1 x 2 5/16	WST1658	1 x 3 5/8	WST2426	1 1/2 x 1 5/8	WST2447	1 1/2 x 2 15/16
WST1217	3/4 x 1 1/16	WST1617	1 x 1 1/16	WST1638	1 x 2 3/8	WST1659	1 x 3 11/16	WST2427	1 1/2 x 1 11/16	WST2448	1 1/2 x 3
WST1218	3/4 x 1 1/8	WST1618	1 x 1 1/8	WST1639	1 x 2 7/16	WST1660	1 x 3 3/4	WST2428	1 1/2 x 1 3/4	WST2449	1 1/2 x 3 1/16
WST1219	3/4 x 1 3/16	WST1619	1 x 1 3/16	WST1640	1 x 2 1/2	WST1661	1 x 3 13/16	WST2429	1 1/2 x 1 13/16	WST2450	1 1/2 x 3 1/8
WST1220	3/4 x 1 1/4	WST1620	1 x 1 1/4	WST1641	1 x 2 9/16	WST1662	1 x 3 7/8	WST2430	1 1/2 x 1 7/8	WST2451	1 1/2 x 3 3/16
WST1221	3/4 x 1 5/16	WST1621	1 x 1 5/16	WST1642	1 x 2 5/8			WST2431	1 1/2 x 1 15/16	WST2452	1 1/2 x 3 1/4
WST1222	3/4 x 1 3/8	WST1622	1 x 1 3/8	WST1643	1 x 2 11/16			WST2432	1 1/2 x 2	WST2453	1 1/2 x 3 5/16
WST1223	3/4 x 1 7/16	WST1623	1 x 1 7/16	WST1644	1 x 2 3/4			WST2433	1 1/2 x 2 1/16	WST2454	1 1/2 x 3 3/8
WST1224	3/4 x 1 1/2	WST1624	1 x 1 1/2	WST1645	1 x 2 13/16			WST2434	1 1/2 x 2 1/8	WST2455	1 1/2 x 3 7/16
WST1225	3/4 x 1 9/16	WST1625	1 x 1 9/16	WST1646	1 x 2 7/8			WST2435	1 1/2 x 2 3/16	WST2456	1 1/2 x 3 1/2
WST1226	3/4 x 1 5/8	WST1626	1 x 1 5/8	WST1647	1 x 2 15/16			WST2436	1 1/2 x 2 1/4	WST2457	1 1/2 x 3 9/16
WST1227	3/4 x 1 11/16	WST1627	1 x 1 11/16	WST1648	1 x 3			WST2437	1 1/2 x 2 5/16	WST2458	1 1/2 x 3 5/8
WST1228	3/4 x 1 3/4	WST1628	1 x 1 3/4	WST1649	1 x 3 1/16			WST2438	1 1/2 x 2 3/8	WST2459	1 1/2 x 3 11/16
WST1229	3/4 x 1 13/16	WST1629	1 x 1 13/16	WST1650	1 x 3 1/8			WST2439	1 1/2 x 2 7/16	WST2460	1 1/2 x 3 3/4
WST1230	3/4 x 1 7/8	WST1630	1 x 1 7/8	WST1651	1 x 3 3/16			WST2440	1 1/2 x 2 1/2		
WST1231	3/4 x 1 15/16	WST1631	1 x 1 15/16	WST1652	1 x 3 1/4			WST2441	1 1/2 x 2 9/16		
WST1232	3/4 x 2	WST1632	1 x 2	WST1653	1 x 3 5/16			WST2442	1 1/2 x 2 5/8		

Impact Rated 6 point sockets are available from Simplex.

To order specify both the square drive size and the socket size or determine the Simplex part number from the chart above.

ALCO REACTION ARMS

Model Number	Length (in)
WT2-ALCO	18.00
WT3-ALCO	22.25
WT5-ALCO	21.00
WT10-ALCO	23.50
WT27-ALCO	N/A



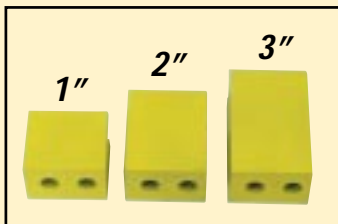
To order, specify both the type of WT-Series Wrench and the Allen head size. Additional Allen sizes are available in both imperial and metric sizes.

ALLEN HEX DRIVES FOR WT-SERIES WRENCHES

Model Number	Wrench Model	Allen Hex Size (in.)	Maximum Torque (ft./lbs)
WA-1208	WT-2	1/2	395
WA-1210		5/8	740
WA-1212		3/4	1,270
WA-1214		7/8	1,270
WA-1216		1	1,270
WA-1610	WT-3	5/8	740
WA-1612		3/4	1,330
WA-1614		7/8	2,070
WA-1616		1	3,100
WA-1618		1 1/8	3,330
WA-1620	1 1/4	3,330	
WA-2414	WT-5	7/8	2,070
WA-2416		1	3,100
WA-2418		1 1/8	4,355
WA-2420		1 1/4	6,275
WA-2422		1 3/8	7,170
WA-2424	1 1/2	7,170	
WA-2420-10	WT-10	1 1/4	6,275
WA-2422-10		1 3/8	7,750
WA-2424-10		1 1/2	10,500
WA-2426-10		1 5/8	10,500
WA-2428-10		1 3/4	10,500
WA-4024	WT-27	1 1/2	10,500
WA-4026		1 5/8	13,280
WA-4028		1 3/4	16,230
WA-4030		1 7/8	27,200
WA-4032		2	27,200
WA-4036		2 1/4	27,200

1", 2" & 3" REACTION ARM EXTENSIONS

Model Number	Length (in)
WT3-EX1	1
WT3-EX2	2
WT3-EX3	3
WT5-EX1	1
WT5-EX2	2
WT5-EX3	3
WT10-EX1	1
WT10-EX2	2
WT10-EX3	3



Allen Hex Drives Use The Standard Reaction Arm. No Additional Reaction Equipment Is Required.