

CYLINDERS



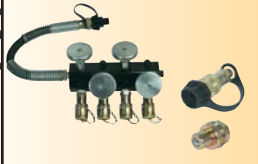
LOCK NUT - 30-1000 TON

Simplex Lock Nut Cylinders Are Used In a Variety of Different Projects.

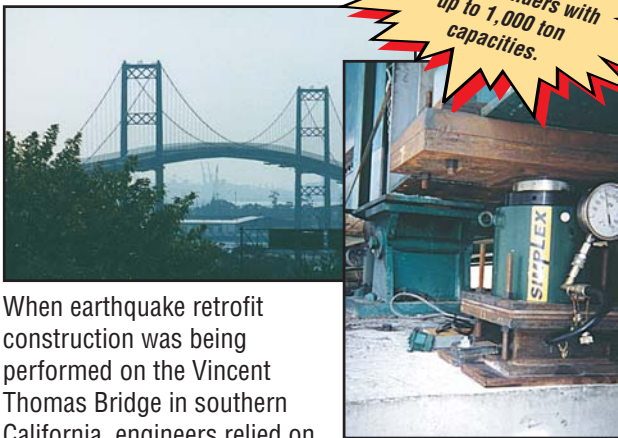


RLN Series lock nut cylinders cut installation time on this power generator by 25%. "The locknut held the load without the extra chore of cribbing." The job was completed even quicker with the use of Simplex SUC-O-MATIC™ power pumps.

- 32 Models
- Stop ring for piston blow-out protection.
- 5° Swivel load caps in 30 through 100 tons to resist side load.
- Optional swivel load caps are available for 150 through 1,000 ton models.
- Domed pistons in 150 through 1,000 tons to resist side load.
- Lock nuts for extended load holding.
- Plated pistons to resist scoring & corrosion.
- Grease fitting for added weather protection.
- High flow quality couplers.
- Available in custom strokes & capacities.
- Exceeds ANSI/ASME B30.1 safety standards.
- Removable swivel lifting eyes on 100 through 1,000 ton models.

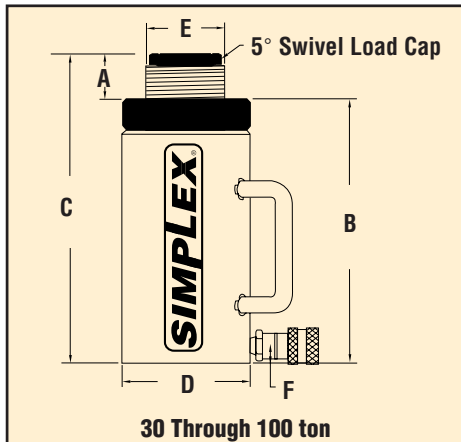
		
Power Pumps pgs. 40-58	Hoses pgs. 66-67	Couplers pg. 64 Manifolds & Fittings pg. 65

Simplex supplies custom cylinders with up to 1,000 ton capacities.

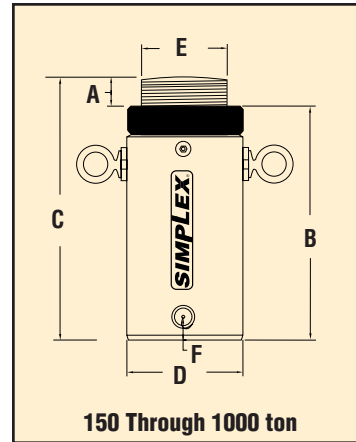


When earthquake retrofit construction was being performed on the Vincent Thomas Bridge in southern California, engineers relied on Simplex lock nut cylinders. "With bronze inlaid bearings, nickel plating and ANSI/ASME B30.1 design, Simplex cylinders were the only choice."





Note: 100 ton models have removable lifting eye bolts in lieu of carrying handles.



Note: Swivel eye bolts are removable.

Load Return Lock Nut Cylinders 30 Through 1000 Ton Capacities

Model Number	Cap. (tons)	A Stroke (in)	B Min. Ht. (in)	C Ext. Ht. (in)	Ram Bore Dia. (in)	Effect Area (sq in)	Pres. @ Cap. (psi)	Oil Cap. Req'd (cu in)	D Body O.D. (in)	E Piston O.D. (in)	F Base To Port C/L (in)	Weight (lbs)	Suggested Power Pump
RLN302	30	2	6 3/8	8 3/8	2 7/8	6.49	9,240	13.0	4	2 7/16	3/4	21.0	Simplex Suc-O-Matic™ equipped Power Pumps are highly recommended to power load return cylinders. Unlike any other power unit, Simplex Suc-O-Matic™ equipped Pumps will fully retract load return cylinders automatically. For more information on the Suc-O-Matic™ feature see page 60.
RLN306		6	10 3/8	16 3/8				38.9				35.0	
RLN502	50	2	6 3/4	8 3/4	3 3/4	11.05	9,054	22.1	5	3 3/16	25/32	38.0	
RLN506		6	10 3/4	16 3/4				66.2				63.0	
RLN5010		10	14 3/4	24 3/4				133.0				100.0	
RLN1002	100	2	8	10	5	19.63	10,200	40.0	6 3/8	4 5/16	1 1/4	87.0	
RLN1006		6	12	18				118.0				132.0	
RLN10010		10	16	26				196.0				202.0	
RLN1502	150	2	8	10	6 1/4	30.68	9,780	66.4	9	5 9/16	1 15/16	149.0	
RLN1506		6	12	18				199.0				221.0	
RLN15012		12	18	30				398.0				311.0	
RLN2002	200	2	9 1/2	11 1/2	7 1/4	41.28	9,054	88.4	10	6 9/16	2 1/16	233.0	
RLN2006		6	13 1/2	19 1/2				265.0				332.0	
RLN20012		12	19 1/2	31 1/2				530.0				479.0	
RLN3002	300	2	11 1/2	13 1/2	8 3/4	60.13	9,978	120.0	12	7 13/16	2 7/16	357.0	
RLN3006		6	15 1/2	21 1/2				361.0				485.0	
RLN30012		12	21 1/2	33 1/2				722.0				677.0	
RLN4002	400	2	13 13/16	15 13/16	10 1/2	86.59	9,238	174.0	14	9 5/16	3	520.0	
RLN4006		6	17 13/16	23 13/16				520.0				675.0	
RLN40012		12	23 13/16	25 13/16				1040.0				905.0	
RLN5002	500	2	14 3/4	16 3/4	11 1/2	103.87	9,628	208.0	16	10 5/16	3 3/16	927.0	
RLN5006		6	18 3/4	24 3/4				623.0				1041.0	
RLN50012		12	24 3/4	36 3/4				1246.0				1383.0	
RLN6002	600	2	15 5/8	17 5/8	12 1/2	122.79	9,778	246.0	17 1/2	11 5/16	3 1/2	985.0	
RLN6006		6	19 5/8	25 5/8				738.0				1232.0	
RLN60012		12	27 5/8	39 5/8				1476.0				1603.0	
RLN8002	800	2	16 15/16	18 15/16	14 1/2	165.13	9,690	330.0	18	13 5/16	4 1/8	1148.0	
RLN8006		6	21 15/16	27 15/16				991.0				1407.0	
RLN80012		12	27 15/16	39 15/16				1982.0				1795.0	
RLN10002	1000	2	19 5/8	21 5/8	16	201.06	9,950	402.0	21	14 13/16	4 1/4	1818.0	
RLN10006		6	23 5/8	29 5/8				1206.0				2178.0	
RLN100012		12	29 5/8	41 5/8				2412.0				2718.0	

CUSTOM STROKES AND CAPACITIES UP TO 1,500 TONS AVAILABLE, CONTACT FACTORY