

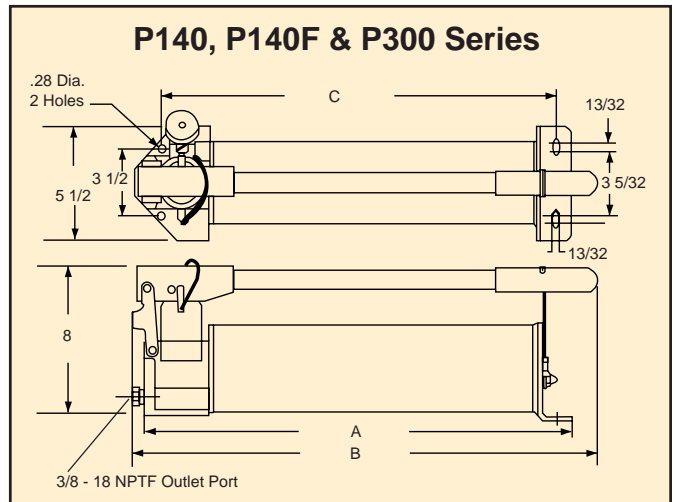
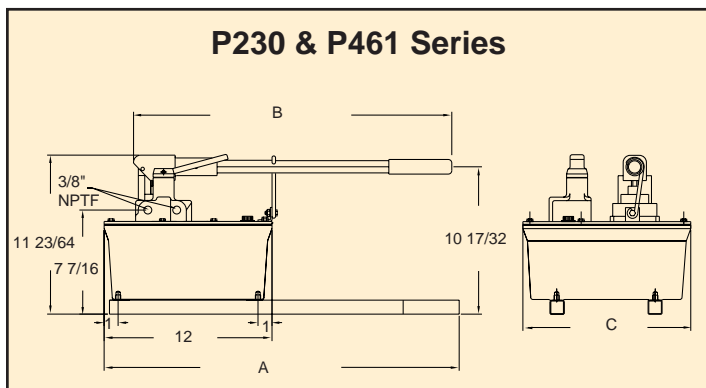
# HAND PUMPS

# HEAVY DUTY HAND PUMPS

Simplex Hand Pumps Set New Safety & Performance Standards.



- 10 Models.
- Low, back saving handle effort.
- High displacements of oil per stroke.
- Adjustable handle effort / dual pivot points.
- Heavy duty, all metal construction for durability.
- Handle latch for easy carrying.
- Large, easy fill reservoirs.
- External adjustable relief valves.



## Two Speed Hand Pumps For Single & Double Acting Cylinders

Model Number	Type of Cyl.	Pressure Rating (PSI)	Oil Volume Per Stroke (cu in)	Usable Oil Capacity (cu in)	A (in)	B (in)	C (in)	Weight (lbs)
P140	Single Acting	1 Stage 400	2.8	180	24 13/16	27 1/4	23 5/16	26
P300			.24	300	28 1/2	31	26 1/2	37
P230		2 Stage 10,000	7.7	230	25 3/8	22 3/4	9	49
P461			.3	460			12	61
P140F	Double Acting	1 Stage 3000	.75	180	24 13/16	27 1/4	23 5/16	27
P140DF			.24		29 1/2	31 1/2	23 5/16	31
P140D		2 Stage 10,000	2.8		29 1/2	31 1/2	23 5/16	30
P300D			.24		32 11/16	34 11/16	26 1/2	41
P230D	2 Stage 10,000	7.7	230	25 3/8	22 3/4	9	49	
P461D		.3	460			12	61	