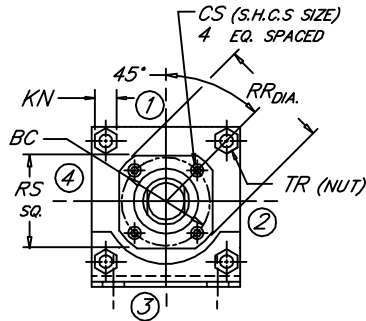
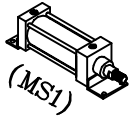


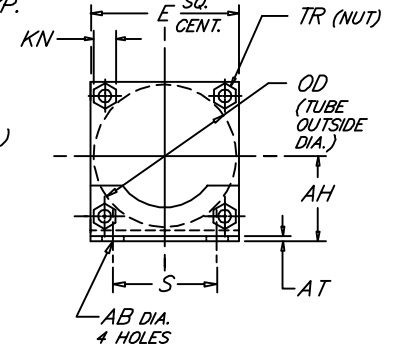
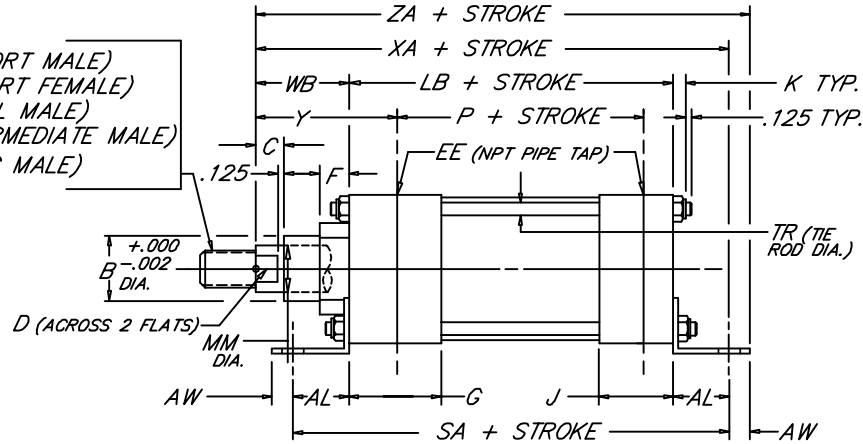
END ANGLES

Heavy Duty Steel Air Cylinder

Peninsular Mounting Style: **MH 13**



- KM (SHORT MALE)
- KF (SHORT FEMALE)
- KD (FULL MALE)
- KI (INTERMEDIATE MALE)
- KA (LONG MALE)



BORE	ROD					NPT																													
	MM	ROD THREAD X LENGTH				AB	AH	AL	AT	AW	B	BC	C	CS	D	E	EE	F	G	J	K	KN	LB	OD	P	R	RR	RS	S	SA	TR	WB	XA	Y	ZA
8.000	1.375	1"-14 x 1.625	1 3/8"-12 x 1.625	1 1/4"-12 x 1.625	1 1/4"-12 x 2.500					1.999	3.267	.625	.312	1.125												3.734	3.000				1.625	8.562	2.750	9.250	
	1.750	1 1/4"-12 x 2.000	1 3/4"-12 x 2.000	1 1/2"-12 x 2.000	1 1/2"-12 x 3.000					2.374	3.267	.750	.312	1.500												3.734	3.000			1.875	8.812	3.000	9.500		
	2.000	1 1/2"-12 x 2.250	2"-12 x 2.250	1 3/4"-12 x 2.250	1 3/4"-12 x 3.500					2.624	3.812	.875	.312	1.688												4.312	3.750			2.000	8.938	3.125	9.625		
	2.500	1 7/8"-12 x 3.000	2 1/2"-12 x 3.000	2 1/4"-12 x 3.000	2 1/4"-12 x 4.500					3.124	3.812	1.000	.312	2.062												4.312	3.750			2.250	9.188	3.375	9.875		
	3.000	2 1/4"-12 x 3.500	3"-12 x 3.500	2 3/4"-12 x 3.500	2 3/4"-12 x 5.500	.812	4.250	1.8125	.250	.688	3.749	4.700	1.000	.375	2.625	8.500	3/4	.625	2.000	1.500	.750	.938	5.125	8.450	3.375	6.435	5.562	4.500	7.125	8.750	.625	2.250	9.188	3.375	9.875
	3.500	2 1/2"-12 x 3.500	3 1/2"-12 x 3.500	3 1/4"-12 x 3.500	3 1/4"-12 x 6.500						4.249	5.200	1.000	.375	3.000											6.062	5.000			2.250	9.188	3.375	9.875		
	4.000	3"-12 x 4.000	4"-12 x 4.000	3 3/4"-12 x 4.000	3 3/4"-12 x 7.500						4.749	5.700	1.000	.375	3.375											6.562	5.500			2.250	9.188	3.375	9.875		
	4.500	3 1/4"-12 x 4.500	4 1/2"-12 x 4.500	4 1/4"-12 x 4.500	4 1/4"-12 x 8.250						5.249	6.200	1.000	.375	3.875											7.062	6.000			2.250	9.188	3.375	9.875		
	5.000	3 1/2"-12 x 5.000	5"-12 x 5.000	4 3/4"-12 x 5.000	4 3/4"-12 x 9.000						5.749	6.700	1.000	.375	4.250											7.562	6.500			2.250	9.188	3.375	9.875		
5.500	4"-12 x 5.500	5 1/2"-12 x 5.500	5 1/4"-12 x 5.500	5 1/4"-12 x 10.000						6.249	7.125	1.000	.375	4.625											7.938	7.000			2.250	9.188	3.375	9.875			
10.000	1.750	1 1/4"-12 x 2.000	1 3/4"-12 x 2.000	1 1/2"-12 x 2.000	1 1/2"-12 x 3.000					2.374	3.812	.750	.312	1.500												4.312	3.750			1.875	10.375	3.062	11.250		
	2.000	1 1/2"-12 x 2.250	2"-12 x 2.250	1 3/4"-12 x 2.250	1 3/4"-12 x 3.500					2.624	3.812	.875	.312	1.688												4.312	3.750			2.000	10.500	3.187	11.375		
	2.500	1 7/8"-12 x 3.000	2 1/2"-12 x 3.000	2 1/4"-12 x 3.000	2 1/4"-12 x 4.500					3.124	3.812	1.000	.312	2.062												4.312	3.750			2.250	10.750	3.437	11.625		
	3.000	2 1/4"-12 x 3.500	3"-12 x 3.500	2 3/4"-12 x 3.500	2 3/4"-12 x 5.500					3.749	4.700	1.000	.375	2.625												5.562	4.500			2.250	10.750	3.437	11.625		
	3.500	2 1/2"-12 x 3.500	3 1/2"-12 x 3.500	3 1/4"-12 x 3.500	3 1/4"-12 x 6.500	1.062	5.312	2.125	.250	.875	4.249	5.200	1.000	.375	3.000	10.625	1	.625	2.250	2.000	.875	1.062	6.375	10.450	4.250	7.920	6.062	5.000	8.875	10.625	.750	2.250	10.750	3.437	11.625
	4.000	3"-12 x 4.000	4"-12 x 4.000	3 3/4"-12 x 4.000	3 3/4"-12 x 7.500						4.749	5.700	1.000	.375	3.375											6.562	5.500			2.250	10.750	3.437	11.625		
	4.500	3 1/4"-12 x 4.500	4 1/2"-12 x 4.500	4 1/4"-12 x 4.500	4 1/4"-12 x 8.250						5.249	6.200	1.000	.375	3.875											7.062	6.000			2.250	10.750	3.437	11.625		
	5.000	3 1/2"-12 x 5.000	5"-12 x 5.000	4 3/4"-12 x 5.000	4 3/4"-12 x 9.000						5.749	6.700	1.000	.375	4.250											7.562	6.500			2.250	10.750	3.437	11.625		
	5.500	4"-12 x 5.500	5 1/2"-12 x 5.500	5 1/4"-12 x 5.500	5 1/4"-12 x 10.000						6.249	7.125	1.000	.375	4.625											7.938	7.000			2.250	10.750	3.437	11.625		
12.000	2.000	1 1/2"-12 x 2.250	2"-12 x 2.250	1 3/4"-12 x 2.250	1 3/4"-12 x 3.500					2.624	3.812	.875	.312	1.688												4.312	3.750			2.000	11.000	3.187	11.875		
	2.500	1 7/8"-12 x 3.000	2 1/2"-12 x 3.000	2 1/4"-12 x 3.000	2 1/4"-12 x 4.500					3.124	3.812	1.000	.312	2.062												4.312	3.750			2.250	11.250	3.437	12.125		
	3.000	2 1/4"-12 x 3.500	3"-12 x 3.500	2 3/4"-12 x 3.500	2 3/4"-12 x 5.500					3.749	4.700	1.000	.375	2.625												5.562	4.500			2.250	11.250	3.437	12.125		
	3.500	2 1/2"-12 x 3.500	3 1/2"-12 x 3.500	3 1/4"-12 x 3.500	3 1/4"-12 x 6.500	1.062	6.375	2.125	.375	.875	4.249	5.200	1.000	.375	3.000	12.750	1	.625	2.250	2.000	.875	1.062	6.875	12.450	4.750	9.405	6.062	5.000	11.000	11.125	.750	2.250	11.250	3.437	12.125
	4.000	3"-12 x 4.000	4"-12 x 4.000	3 3/4"-12 x 4.000	3 3/4"-12 x 7.500						4.749	5.700	1.000	.375	3.375											6.562	5.500			2.250	11.250	3.437	12.125		
	4.500	3 1/4"-12 x 4.500	4 1/2"-12 x 4.500	4 1/4"-12 x 4.500	4 1/4"-12 x 8.250						5.249	6.200	1.000	.375	3.875											7.062	6.000			2.250	11.250	3.437	12.125		
	5.000	3 1/2"-12 x 5.000	5"-12 x 5.000	4 3/4"-12 x 5.000	4 3/4"-12 x 9.000						5.749	6.700	1.000	.375	4.250											7.562	6.500			2.250	11.250	3.437	12.125		
	5.500	4"-12 x 5.500	5 1/2"-12 x 5.500	5 1/4"-12 x 5.500	5 1/4"-12 x 10.000						6.249	7.125	1.000	.375	4.625											7.938	7.000			2.250	11.250	3.437	12.125		
	14.000	2.500	1 7/8"-12 x 3.000	2 1/2"-12 x 3.000	2 1/4"-12 x 3.000	2 1/4"-12 x 4.500					3.124	3.812		.312	2.062												4.312	3.750							
3.000		2 1/4"-12 x 3.500	3"-12 x 3.500	2 3/4"-12 x 3.500	2 3/4"-12 x 5.500					3.749	4.700		.375	2.625												5.562	4.500								
3.500		2 1/2"-12 x 3.500	3 1/2"-12 x 3.500	3 1/4"-12 x 3.500	3 1/4"-12 x 6.500					4.249	5.200		.375	3.000												6.062	5.000								
4.000		3"-12 x 4.000	4"-12 x 4.000	3 3/4"-12 x 4.000	3 3/4"-12 x 7.500	1.312	7.375	2.4375	.375	1.062	4.749	5.700	1.000	.375	3.375	14.750	1 1/4	.625	2.750	2.250	1.000	1.250	8.125	14.450	5.625	10.889	6.562	5.500	12.625	13.000	.875	2.250	12.812	3.688	13.875
4.500		3 1/4"-12 x 4.500	4 1/2"-12 x 4.500	4 1/4"-12 x 4.500	4 1/4"-12 x 8.250						5.249	6.200		.375	3.875											7.062	6.000								
5.000		3 1/2"-12 x 5.000	5"-12 x 5.000	4 3/4"-12 x 5.000	4 3/4"-12 x 9.000						5.749	6.700		.375	4.250											7.562	6.500								
5.500	4"-12 x 5.500	5 1/2"-12 x 5.500	5 1/4"-12 x 5.500	5 1/4"-12 x 10.000						6.249	7.125		.375	4.625											7.938	7.000									

NEVA DESIGN

FILE: MH13L2.dwg REV: 09-25-06