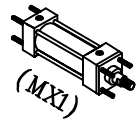


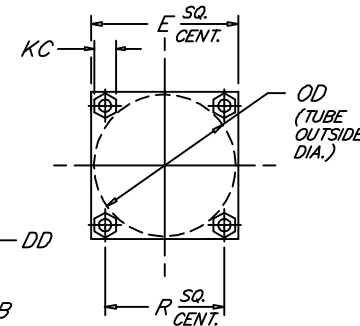
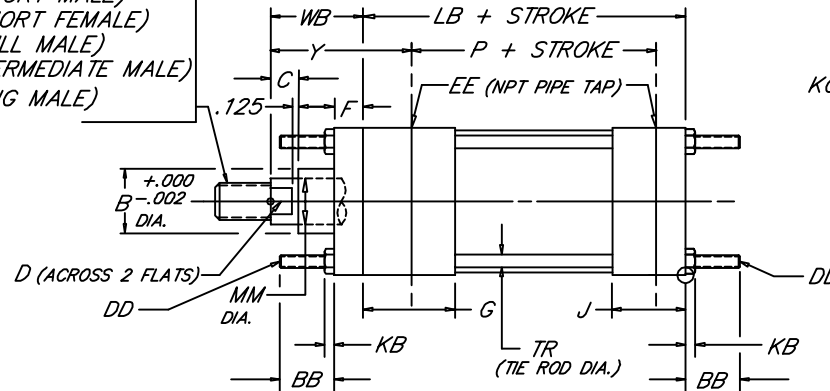
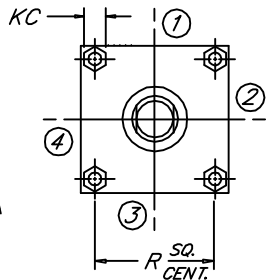
HEAD & CAP TIE ROD EXTENDED

Peninsular Mounting Style: **LM 12**

Medium Duty Aluminum Air Cylinder



KM (SHORT MALE)
 KF (SHORT FEMALE)
 KD (FULL MALE)
 KI (INTERMEDIATE MALE)
 KA (LONG MALE)



2.59

BORE	ROD					ROD THREAD X LENGTH													NPT					
	MM	KM & KF	KD	KI	KA	B	BB	C	D	DD	E	EE	F	G	J	KB	KC	LB	OD	P	R	TR	WB	Y
1.500	.625	7/16"-20 x .750	5/8"-18 x .750	1/2"-20 x .750	1/2"-20 x 1.125	1.124	1.000	.375	.500	1/4"-28	2.000	3/8	.375	1.500	1.000	.218	.438	3.625	1.750	2.335	1.428	.250	1.000	1.875
	1.000	3/4"-16 x 1.125	1"-14 x 1.125	7/8"-14 x 1.125	7/8"-14 x 1.875	1.499		.500	.875														1.375	2.250
2.000	.625	7/16"-20 x .750	5/8"-18 x .750	1/2"-20 x .750	1/2"-20 x 1.125	1.124		.375	.500	5/16"-24	2.500	3/8	.375	1.500	1.000	.250	.500	3.625	2.250	2.335	1.838	.312	1.000	1.875
	1.000	3/4"-16 x 1.125	1"-14 x 1.125	7/8"-14 x 1.125	7/8"-14 x 1.875	1.499	1.125	.500	.875														1.375	2.250
	1.375	1"-14 x 1.625	3/8"-12 x 1.625	1/4"-12 x 1.625	1/4"-12 x 2.500	1.999		.625	1.125														1.625	2.500
2.500	.625	7/16"-20 x .750	5/8"-18 x .750	1/2"-20 x .750	1/2"-20 x 1.125	1.124		.375	.500	5/16"-24	3.000	3/8	.375	1.500	1.000	.250	.500	3.750	2.750	2.460	2.192	.312	1.000	1.875
	1.000	3/4"-16 x 1.125	1"-14 x 1.125	7/8"-14 x 1.125	7/8"-14 x 1.875	1.499	1.125	.500	.875														1.375	2.250
	1.375	1"-14 x 1.625	3/8"-12 x 1.625	1/4"-12 x 1.625	1/4"-12 x 2.500	1.999		.625	1.125														1.625	2.500
3.250	.625	7/16"-20 x .750	5/8"-18 x .750	1/2"-20 x .750	1/2"-20 x 1.125	1.124		.375	.500	3/8"-24	3.750	1/2	.625	1.750	1.250	.328	.562	4.250	3.500	2.750	2.758	.375	1.375	2.375
	1.000	3/4"-16 x 1.125	1"-14 x 1.125	7/8"-14 x 1.125	7/8"-14 x 1.875	1.499	1.375	.625	1.125														1.625	2.625
	1.375	1"-14 x 1.625	3/8"-12 x 1.625	1/4"-12 x 1.625	1/4"-12 x 2.500	1.999		.750	1.500														1.875	2.875
4.000	.625	7/16"-20 x .750	5/8"-18 x .750	1/2"-20 x .750	1/2"-20 x 1.125	1.124		.375	.500	3/8"-24	4.500	1/2	.625	1.750	1.250	.328	.562	4.250	4.250	2.750	3.323	.375	1.375	2.375
	1.000	3/4"-16 x 1.125	1"-14 x 1.125	7/8"-14 x 1.125	7/8"-14 x 1.875	1.499	1.375	.625	1.125														1.625	2.625
	1.375	1"-14 x 1.625	3/8"-12 x 1.625	1/4"-12 x 1.625	1/4"-12 x 2.500	1.999		.750	1.500														1.875	2.875
5.000	.625	7/16"-20 x .750	5/8"-18 x .750	1/2"-20 x .750	1/2"-20 x 1.125	1.124		.375	.500	1/2"-20	5.500	1/2	.625	1.750	1.250	.438	.750	4.500	5.250	3.000	4.101	.500	1.375	2.375
	1.000	3/4"-16 x 1.125	1"-14 x 1.125	7/8"-14 x 1.125	7/8"-14 x 1.875	1.499	1.812	.875	1.688														2.000	3.000
	1.375	1"-14 x 1.625	3/8"-12 x 1.625	1/4"-12 x 1.625	1/4"-12 x 2.500	1.999		1.000	2.062														2.250	3.250
6.000	.625	7/16"-20 x .750	5/8"-18 x .750	1/2"-20 x .750	1/2"-20 x 1.125	1.124		.375	.500	1/2"-20	6.500	3/4	.750	2.000	1.500	.438	.750	5.000	6.250	3.250	4.879	.500	1.375	2.375
	1.000	3/4"-16 x 1.125	1"-14 x 1.125	7/8"-14 x 1.125	7/8"-14 x 1.875	1.499	1.812	1.000	2.062														2.250	3.250
	1.375	1"-14 x 1.625	3/8"-12 x 1.625	1/4"-12 x 1.625	1/4"-12 x 2.500	1.999		1.000	3.000														2.250	3.250

NEVA DESIGN

FILE: LM12S2.dwg REV: 09-25-06