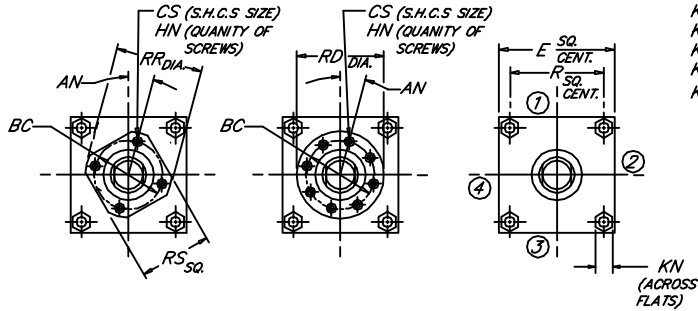
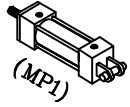


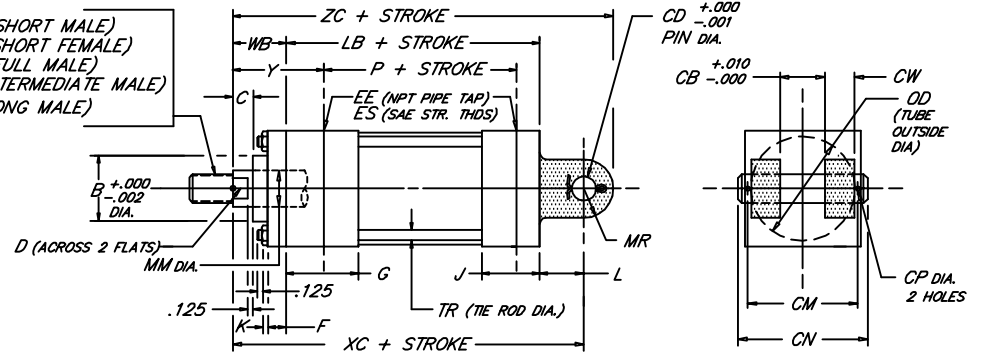
CAP FIXED CLEVIS

Heavy Duty Hydraulic Cylinder • 3000 P.S.I. Working Pressure • 5000 P.S.I. Rated Pressure

Peninsular
Mounting Style: **HP 3**



KM (SHORT MALE)
KF (SHORT FEMALE)
KD (FULL MALE)
KI (INTERMEDIATE MALE)
KA (LONG MALE)



6.13

BORE	ROD																NPT/SAE																								
	MM	ROD THREAD X LENGTH				AN	B	BC	C	CB	CD	CS	CN	CM	CP	CW	D	E	EE	ES	F	G	HN	J	K	KN	L	LB	MR	OD	P	R	RD	RR	RS	TR	WB	XC	Y	ZC	
1.500	.625	7/16"-20 x .750	5/8"-18 x .750	1/2"-20 x .750	1/2"-20 x 1.125	15°	1.124	1.750	.375	.765	.500	.250	2.281	1.938	.106	.500	.500	2.500	1/2	-8	.250	1.750	4	1.500	.406	.562	.750	4.625	.500	1.875	2.875	1.625	---	2.125	1.625	.375	1.000	6.375	2.000	6.875	
	1.000	3/4"-16 x 1.125	1"-14 x 1.125	7/8"-14 x 1.125	7/8"-14 x 1.875	---	1.499	---	.500	---	---	---	2.281	1.938	.106	.500	.875	3.000	1/2	-8	.375	1.750	4	1.500	.531	.750	1.250	4.625	.750	2.375	2.875	2.050	---	2.656	2.000	.500	1.375	7.250	2.375	8.000	
2.000	1.000	3/4"-16 x 1.125	1"-14 x 1.125	7/8"-14 x 1.125	7/8"-14 x 1.875	15°	1.499	2.188	.500	1.265	.750	.312	3.094	2.719	.140	.625	.875	3.000	1/2	-8	.375	1.750	4	1.500	.531	.750	1.250	4.625	.750	2.375	2.875	2.050	---	2.656	2.000	.500	1.375	7.250	2.375	8.000	
	1.375	1"-14 x 1.625	1 3/8"-12 x 1.625	1 1/4"-12 x 1.625	1 1/4"-12 x 2.500	---	1.999	---	.625	---	---	---	3.094	2.719	.140	.625	1.125	3.000	1/2	-8	.625	1.750	---	---	---	---	---	---	---	---	---	---	---	---	---	---	---	---	---	---	---
2.500	1.000	3/4"-16 x 1.125	1"-14 x 1.125	7/8"-14 x 1.125	7/8"-14 x 1.875	15°	1.499	2.188	.500	---	---	.312	3.094	2.719	.140	.625	.875	3.000	1/2	-8	.375	1.750	4	1.500	.531	.750	1.250	4.750	.750	3.000	3.000	2.550	---	3.320	2.500	.500	1.625	7.625	2.625	8.375	
	1.375	1"-14 x 1.625	1 3/8"-12 x 1.625	1 1/4"-12 x 1.625	1 1/4"-12 x 2.500	15°	1.999	2.750	.625	1.265	.750	.375	3.094	2.719	.140	.625	1.125	3.500	1/2	-8	.375	1.750	4	1.500	.531	.750	1.250	4.750	.750	3.000	3.000	2.550	---	3.320	2.500	.500	1.625	7.625	2.625	8.375	
3.250	1.750	1 1/4"-12 x 2.000	1 3/4"-12 x 2.000	1 1/2"-12 x 2.000	1 1/2"-12 x 3.000	15°	1.999	2.750	.625	1.515	1.000	.375	3.594	3.219	.140	.750	1.125	4.500	3/4	-12	.375	2.000	4	1.750	.656	.938	1.500	5.500	1.000	3.875	3.500	3.250	---	3.320	2.500	.625	1.625	8.625	2.750	9.625	
	2.000	1 1/2"-12 x 2.250	2"-12 x 2.250	1 3/4"-12 x 2.250	1 3/4"-12 x 3.500	---	2.624	---	.875	---	---	---	3.594	3.219	.140	.750	1.688	4.500	3/4	-12	.750	2.000	4	---	---	---	---	---	---	---	---	---	---	---	---	---	---	---	---	---	---
4.000	1.750	1 1/4"-12 x 2.000	1 3/4"-12 x 2.000	1 1/2"-12 x 2.000	1 1/2"-12 x 3.000	15°	2.374	3.125	.750	---	---	.375	4.656	4.250	.173	1.000	1.500	5.000	3/4	-12	.375	2.000	6	1.750	.656	.938	2.125	5.750	1.375	4.750	3.750	3.820	4.260	---	---	.625	2.000	9.875	3.125	11.250	
	2.500	1 7/8"-12 x 3.000	2 1/2"-12 x 3.000	2 1/4"-12 x 3.000	2 1/4"-12 x 4.500	---	3.124	---	1.000	---	---	---	4.656	4.250	.173	1.000	2.062	5.000	3/4	-12	.875	---	---	---	---	---	---	---	---	---	---	---	---	---	---	---	---	---	---	---	---
5.000	2.000	1 1/2"-12 x 2.250	2"-12 x 2.250	1 3/4"-12 x 2.250	1 3/4"-12 x 3.500	15°	2.624	3.500	.875	---	---	.375	5.656	5.250	.173	1.250	1.688	6.500	3/4	-12	.375	2.000	6	1.750	.875	1.312	2.250	6.250	1.750	6.000	4.250	4.950	---	---	---	---	---	---	---	---	---
	2.500	1 7/8"-12 x 3.000	2 1/2"-12 x 3.000	2 1/4"-12 x 3.000	2 1/4"-12 x 4.500	15°	3.124	4.000	1.000	---	---	.375	5.656	5.250	.173	1.250	2.062	6.500	3/4	-12	.375	2.000	6	1.750	.875	1.312	2.250	6.250	1.750	6.000	4.250	4.950	---	---	---	---	---	---	---	---	---
6.000	3.000	2 1/4"-12 x 3.500	3"-12 x 3.500	2 3/4"-12 x 3.500	2 3/4"-12 x 5.500	15°	3.749	4.500	1.000	2.515	1.750	.375	6.656	6.250	.173	1.250	2.062	6.500	3/4	-12	.375	2.000	6	1.750	.875	1.312	2.250	6.250	1.750	6.000	4.250	4.950	---	---	---	---	---	---	---	---	---
	3.500	2 1/2"-12 x 3.500	3 1/2"-12 x 3.500	3 1/4"-12 x 3.500	3 1/4"-12 x 6.500	---	4.249	---	1.000	---	---	---	6.656	6.250	.173	1.250	3.000	6.500	3/4	-12	.875	---	---	---	---	---	---	---	---	---	---	---	---	---	---	---	---	---	---	---	---
6.000	2.500	1 7/8"-12 x 3.000	2 1/2"-12 x 3.000	2 1/4"-12 x 3.000	2 1/4"-12 x 4.500	15°	3.124	4.000	---	---	---	.375	5.719	5.281	.204	1.250	2.062	7.500	1	-16	.375	2.250	8	2.250	1.000	1.500	2.500	7.375	2.000	7.000	4.875	5.730	---	---	---	---	---	---	---	---	
	4.000	3"-12 x 4.000	4"-12 x 4.000	3 3/4"-12 x 4.000	3 3/4"-12 x 7.500	---	4.749	5.625	1.000	2.515	2.000	.438	5.719	5.281	.204	1.250	3.375	7.500	1	-16	.500	---	---	---	---	---	---	---	---	---	---	---	---	---	---	---	---	---	---	---	---

FILE: HPO3S2.dwg REV: 09-25-06