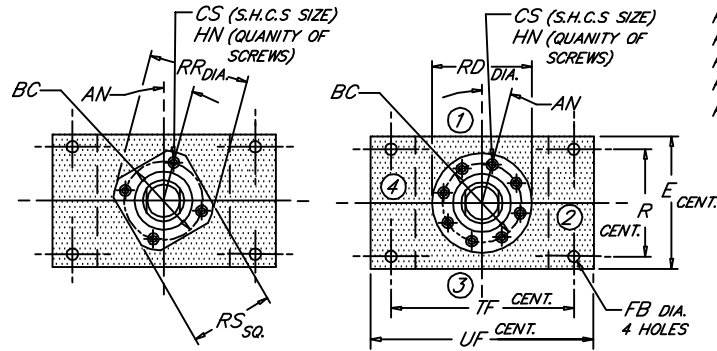
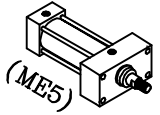


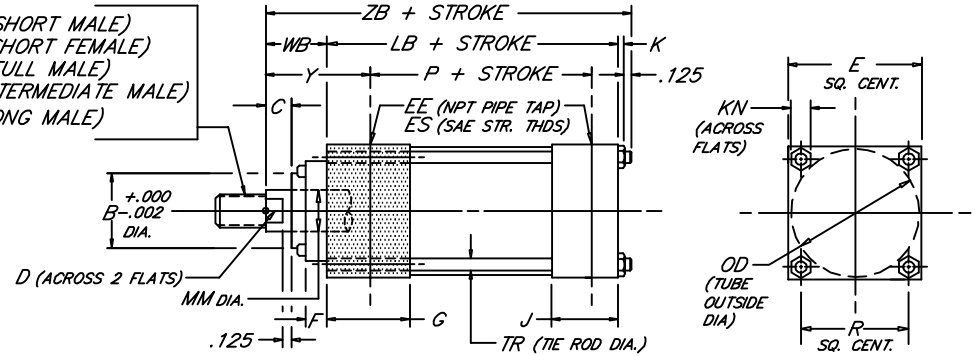
HEAD RECTANGULAR

Peninsular
Mounting Style: **HP 28**

Heavy Duty Hydraulic Cylinder • 3000 P.S.I. Working Pressure • 5000 P.S.I. Rated Pressure



KM (SHORT MALE)
KF (SHORT FEMALE)
KD (FULL MALE)
KI (INTERMEDIATE MALE)
KA (LONG MALE)



6.28

BORE	ROD					ROD THREAD X LENGTH																				NPT/SAE										
	MM	KM & KF	KD	KI	KA	AN	B	BC	C	CS	D	E	EE	ES	F	FB	G	HN	J	K	KN	LB	OD	P	R	RD	RR	RS	TF	TR	UF	WB	Y	ZB		
1.500	.625	7/16"-20 x .750	5/8"-18 x .750	1/2"-20 x .750	1/2"-20 x 1.125	15°	1.124	1.750	.375	.250	.500	2.500	1/2	-8	.250	.437	1.750	4	1.500	.406	.562	4.625	1.875	2.875	1.625	---	2.125	1.625	3.438	.375	4.250	1.000	2.000	6.156		
	1.000	3/4"-16 x 1.125	1"-14 x 1.125	7/8"-14 x 1.125	7/8"-14 x 1.875	15°	1.499	2.125	.500	.250	.875	2.500	1/2	-8	.250	.562	1.750	4	1.500	.531	.750	4.625	2.375	2.875	2.050	---	2.656	2.000	4.125	.500	5.125	1.375	2.375	6.656		
2.000	1.000	3/4"-16 x 1.125	1"-14 x 1.125	7/8"-14 x 1.125	7/8"-14 x 1.875	15°	1.499	2.188	.500	.312	.875	3.000	1/2	-8	.375	.562	1.750	4	1.500	.531	.750	4.625	2.375	2.875	2.050	---	2.656	2.000	4.125	.500	5.125	1.375	2.375	6.656		
	1.375	1"-14 x 1.625	1 3/8"-12 x 1.625	1 1/4"-12 x 1.625	1 1/4"-12 x 2.500	15°	1.999	2.594	.625	.250	1.125	3.000	1/2	-8	.250	.562	1.750	4	1.500	.531	.750	4.625	2.375	2.875	2.050	---	2.656	2.000	4.125	.500	5.125	1.625	2.625	6.906		
2.500	1.000	3/4"-16 x 1.125	1"-14 x 1.125	7/8"-14 x 1.125	7/8"-14 x 1.875	15°	1.499	2.188	.500	.312	.875	3.500	1/2	-8	.375	.562	1.750	4	1.500	.531	.750	4.750	3.000	3.000	2.550	---	2.656	2.000	4.625	.500	5.625	1.375	2.375	6.781		
	1.375	1"-14 x 1.625	1 3/8"-12 x 1.625	1 1/4"-12 x 1.625	1 1/4"-12 x 2.500	15°	1.999	2.750	.625	.375	1.125	3.500	1/2	-8	.375	.562	1.750	4	1.500	.531	.750	4.750	3.000	3.000	2.550	---	3.320	2.500	4.625	.500	5.625	1.625	2.625	7.031		
3.250	1.750	1 1/4"-12 x 2.000	1 3/4"-12 x 2.000	1 1/2"-12 x 2.000	1 1/2"-12 x 3.000	30°	2.374	3.125	.750	.375	1.500	4.000	3/4	-12	.375	.687	2.000	4	1.750	.656	.938	5.500	3.875	3.500	3.250	---	3.320	2.500	5.875	.625	7.125	1.625	2.750	7.906		
	2.000	1 1/2"-12 x 2.250	2"-12 x 2.250	1 3/4"-12 x 2.250	1 3/4"-12 x 3.500	15°	2.624	3.500	.875	.375	1.688	4.500	3/4	-12	.375	.687	2.000	4	1.750	.656	.938	5.500	3.875	3.500	3.250	---	3.760	2.760	5.875	.625	7.125	1.875	3.000	8.156		
4.000	1.750	1 1/4"-12 x 2.000	1 3/4"-12 x 2.000	1 1/2"-12 x 2.000	1 1/2"-12 x 3.000	15°	2.374	3.125	.750	.375	1.500	5.000	3/4	-12	.375	.687	2.000	4	1.750	.656	.938	5.750	4.750	3.750	3.820	---	3.760	2.760	6.375	.625	7.625	1.875	3.125	8.531		
	2.000	1 1/2"-12 x 2.250	2"-12 x 2.250	1 3/4"-12 x 2.250	1 3/4"-12 x 3.500	30°	2.624	3.500	.875	.375	1.688	5.000	3/4	-12	.375	.687	2.000	6	1.750	.656	.938	5.750	4.750	3.750	3.820	---	4.260	---	6.375	.625	7.625	2.000	3.125	8.531		
5.000	2.500	1 7/8"-12 x 3.000	2 1/2"-12 x 3.000	2 1/4"-12 x 3.000	2 1/4"-12 x 4.500	15°	3.124	4.000	1.000	.375	2.062	6.500	3/4	-12	.375	.937	2.000	6	1.750	.875	1.312	6.250	6.000	4.250	4.950	---	4.260	---	---	---	9.750	2.000	3.125	9.250		
	3.000	2 1/4"-12 x 3.500	3"-12 x 3.500	2 3/4"-12 x 3.500	2 3/4"-12 x 5.500	15°	3.749	4.500	1.000	.375	2.625	6.500	3/4	-12	.375	.937	2.000	6	1.750	.875	1.312	6.250	6.000	4.250	4.950	---	4.625	---	---	---	8.188	.875	9.750	2.250	3.375	9.500
6.000	3.500	2 1/2"-12 x 3.500	3 1/2"-12 x 3.500	3 1/4"-12 x 3.500	3 1/4"-12 x 6.500	15°	4.249	5.000	1.000	.375	3.000	7.500	1	-16	.375	1.062	2.250	6	2.250	1.000	1.500	7.375	7.000	4.875	5.730	---	5.125	---	---	---	9.438	1.000	11.250	2.250	3.500	10.750
	4.000	3"-12 x 4.000	4"-12 x 4.000	3 3/4"-12 x 4.000	3 3/4"-12 x 7.500	15°	4.749	5.625	1.000	.438	3.375	7.500	1	-16	.500	1.062	2.250	8	2.250	1.000	1.500	7.375	7.000	4.875	5.730	---	5.562	---	---	---	9.438	1.000	11.250	2.250	3.500	10.750

NEVA DESIGN

FILE: HP28S2.dwg REV: 09-25-06