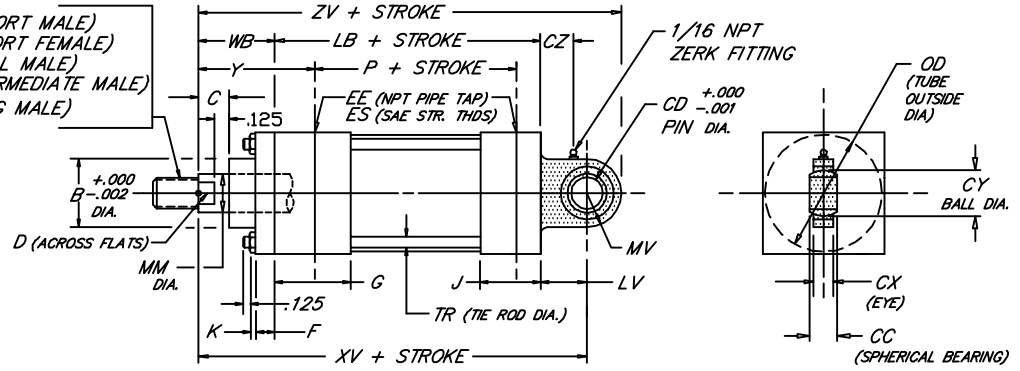
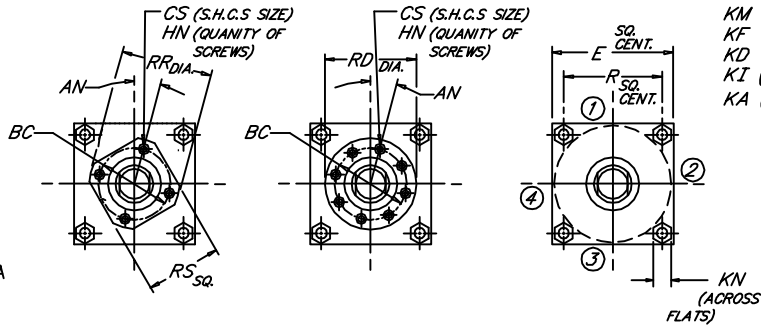
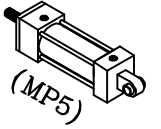


CAP FIXED SPHERICAL EYE

Heavy Duty Hydraulic Cylinder

Peninsular
Mounting Style: HP 22



BORE	ROD / ROD THREAD X LENGTH					MAXIMUM PRESSURE	NPT/SAE																																		
	MM	KM & KF	KD	KI	KA		AN	B	BC	C	CC	CD	CS	CX	CY	CZ	D	E	EE	ES	F	G	HN	J	K	KN	LB	LV	MV	OD	P	R	RD	RR	RS	TR	WB	XV	Y	ZV	
1.500	.625 1.000	7/16"-20 x .750 3/4"-16 x 1.125	5/8"-18 x .750 1"-14 x 1.125	1/2"-20 x .750 7/8"-14 x 1.125	1/2"-20 x 1.125 7/8"-14 x 1.875	1250 P.S.I.	15"	1.124 1.499	1.750 ---	.375 .500	.437 ---	.500 ---	.250 ---	.375 ---	.710 ---	.438 ---	.500 .875	2.500 ---	1/2	-8	.250 .375	1.750 ---	4 ---	1.500	.406	.562	4.625	.812	.750	1.875	2.875	1.625	---	2.125	1.625	---	.375	1.000 1.375	6.437 6.812	2.000 2.375	7.187 7.562
2.000	1.000 1.375	3/4"-16 x 1.125 1"-14 x 1.625	1"-14 x 1.125 1 3/8"-12 x 1.625	7/8"-14 x 1.125 1 1/4"-12 x 1.625	7/8"-14 x 1.875 1 1/4"-12 x 2.500	2200 P.S.I.	15"	1.499 1.999	2.188 ---	.500 .625	.656 ---	.750 ---	.312 ---	.562 ---	1.086 ---	.625 ---	.875 1.125	3.000 ---	1/2	-8	.375 .625	1.750 ---	4 ---	1.500	.531	.750	4.625	1.187	1.250	2.375	2.875	2.050	---	2.656	2.000	---	.500	1.375 1.625	7.187 7.437	2.375 2.625	8.437 8.687
2.500	1.000 1.375 1.750	3/4"-16 x 1.125 1"-14 x 1.625 1 1/4"-12 x 2.000	1"-14 x 1.125 1 3/8"-12 x 1.625 1 3/4"-12 x 2.000	7/8"-14 x 1.125 1 1/4"-12 x 1.625 1 1/2"-12 x 2.000	7/8"-14 x 1.875 1 1/4"-12 x 2.500 1 1/2"-12 x 3.000	1450 P.S.I.	15"	1.499 1.999	2.188 ---	.500 .625	.656 ---	.750 ---	.312 ---	.562 ---	1.086 ---	.625 ---	.875 1.125	3.500 1.500	1/2	-8	.375 .625	1.750 ---	4 ---	1.500	.531	.750	4.750	1.187	1.250	3.000	3.000	2.550	---	2.656	2.000	---	.500	1.375 1.625	7.312 7.562	2.375 2.625	8.562 8.812
3.250	1.375 1.750 2.000	1"-14 x 1.625 1 1/4"-12 x 2.000 1 1/2"-12 x 2.250	1 3/8"-12 x 1.625 1 3/4"-12 x 2.000 2"-12 x 2.250	1 1/4"-12 x 1.625 1 1/2"-12 x 2.000 1 3/4"-12 x 2.250	1 1/4"-12 x 2.500 1 1/2"-12 x 3.000 1 3/4"-12 x 3.500	1500 P.S.I.	15"	1.999 2.374	2.750 ---	.625 .750	.875 ---	1.000 ---	.375 ---	.750 ---	1.436 ---	.812 ---	1.500 1.688	4.500 ---	3/4	-12	.375 .750	2.000 ---	4 ---	1.750	.656	.938	5.500	1.562	1.500	3.875	3.500	3.250	---	3.320	2.500	---	.625	1.625 1.875	8.687 8.937	2.750 3.000	10.187 10.437
4.000	1.750 2.000 2.500	1 1/4"-12 x 2.000 1 1/2"-12 x 2.250 1 7/8"-12 x 3.000	1 3/4"-12 x 2.000 2"-12 x 2.250 2 1/2"-12 x 3.000	1 1/2"-12 x 2.000 1 3/4"-12 x 2.250 2 1/4"-12 x 3.000	1 1/2"-12 x 3.000 1 3/4"-12 x 3.500 2 1/4"-12 x 4.500	1850 P.S.I.	15"	2.374 2.624	3.125 ---	.750 ---	.875 ---	1.000 ---	.375 ---	.750 ---	1.436 ---	.906 ---	1.688 2.062	5.000 ---	3/4	-12	.375 .875	2.000 ---	6 ---	1.750	.656	.938	5.750	1.937	1.750	4.750	3.750	3.820	---	3.760	2.760	---	.625	1.875 2.000 2.250	9.562 9.687 9.937	3.000 3.125 3.375	11.312 11.437 11.687
5.000	2.000 2.500 3.000 3.500	1 1/2"-12 x 2.250 1 7/8"-12 x 3.000 2 1/4"-12 x 3.500 2 1/2"-12 x 3.500	2"-12 x 2.250 2 1/2"-12 x 3.000 3"-12 x 3.500 3 1/2"-12 x 3.500	1 3/4"-12 x 2.250 2 1/4"-12 x 3.000 2 3/4"-12 x 3.500 3 1/4"-12 x 3.500	1 3/4"-12 x 3.500 2 1/4"-12 x 4.500 2 3/4"-12 x 5.500 3 1/4"-12 x 6.500	2000 P.S.I.	15"	2.624 3.124 3.749	3.500 4.000 4.500	.875 1.000 1.000	1.531 1.750 ---	---	.375 ---	.375 ---	1.312 2.515 1.084	---	1.688 2.062 2.625	6.500 ---	3/4	-12	.375 .375 .375	2.000 ---	6 6 6	1.750	.875	1.312	6.250	2.437	2.250	6.000	4.250	4.950	---	---	.875	2.000 2.250 2.250	10.687 10.937 10.937	3.125 3.375 3.375	12.937 13.187 13.187		
6.000	2.500 3.000 3.500 4.000	1 7/8"-12 x 3.000 2 1/4"-12 x 3.500 2 1/2"-12 x 3.500 3"-12 x 4.000	2 1/2"-12 x 3.000 3"-12 x 3.500 3 1/2"-12 x 3.500 4"-12 x 4.000	2 1/4"-12 x 3.000 2 3/4"-12 x 3.500 3 1/4"-12 x 3.500 3 3/4"-12 x 4.000	2 1/4"-12 x 4.500 2 3/4"-12 x 5.500 3 1/4"-12 x 6.500 3 3/4"-12 x 7.500	1800 P.S.I.	15"	3.124 3.749 4.249 4.749	4.000 4.500 5.000 5.625	1.000 1.000 1.000 1.000	1.750 2.000 2.000 2.000	---	.375 ---	.375 ---	1.500 2.872 1.156 ---	---	2.062 2.625 3.000 3.375	7.500 ---	1	-16	.375 .375 .375 .500	2.250 ---	6 6 8 8	2.250	1.000	1.500	7.375	2.687	2.750	7.000	4.875	5.730	---	---	---	1.000	2.250 12.312	3.500	15.062		

6.26

NFA DESIGN