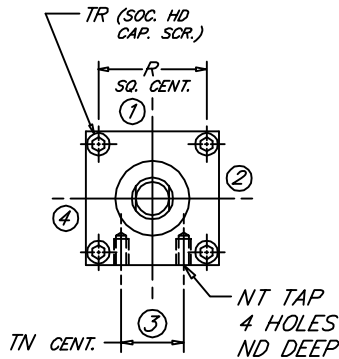
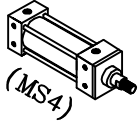


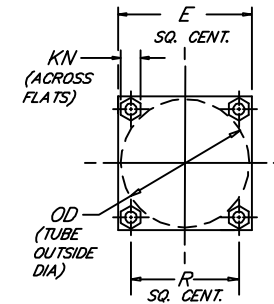
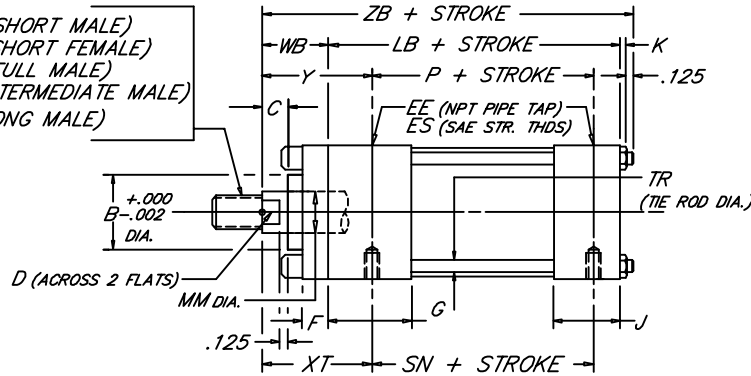
# SIDE TAPPED

Heavy Duty Hydraulic Cylinder • 3000 P.S.I. Working Pressure • 5000 P.S.I. Rated Pressure

Peninsular  
Mounting Style: **HP 16**



KM (SHORT MALE)  
 KF (SHORT FEMALE)  
 KD (FULL MALE)  
 KI (INTERMEDIATE MALE)  
 KA (LONG MALE)



6.23

BORE	ROD THREAD X LENGTH					NPT/SAE																							
	MM	KM & KF	KD	KI	KA	B	C	D	E	EE	ES	F	G	J	K	KN	LB	ND	NT	OD	P	R	SN	TN	TR	WB	XT	Y	ZB
1.500	.625	7/16"-20 x .750	5/8"-18 x .750	1/2"-20 x .750	1/2"-20 x 1.125	1.124	.375	.500	2.500	1/2	-8	.375	1.750	1.500	.406	.562	4.625	.375	3/8"-16	1.875	2.875	1.625	2.875	.750	.375	1.000	2.000	2.000	6.156
	1.000	3/4"-16 x 1.125	1"-14 x 1.125	7/8"-14 x 1.125	7/8"-14 x 1.875	1.499	.500	.875	3.000	1/2	-8	.625	1.750	1.500	.531	.750	4.625	.375	1/2"-13	2.375	2.875	2.050	2.875	.938	.500	1.375	2.375	2.375	6.531
2.000	1.000	3/4"-16 x 1.125	1"-14 x 1.625	7/8"-14 x 1.125	7/8"-14 x 1.875	1.499	.500	.875	3.000	1/2	-8	.625	1.750	1.500	.531	.750	4.625	.375	1/2"-13	2.375	2.875	2.050	2.875	.938	.500	1.375	2.375	2.375	6.656
	1.375	1"-14 x 1.625	1 3/8"-12 x 1.625	1 1/4"-12 x 1.625	1 1/4"-12 x 2.500	1.999	.625	1.125	3.000	1/2	-8	.625	1.750	1.500	.531	.750	4.625	.375	1/2"-13	2.375	2.875	2.050	2.875	.938	.500	1.625	2.625	2.625	6.906
2.500	1.000	3/4"-16 x 1.125	1"-14 x 1.625	7/8"-14 x 1.125	7/8"-14 x 1.875	1.499	.500	.875	3.500	1/2	-8	.625	1.750	1.500	.531	.750	4.750	.500	5/8"-11	3.000	3.000	2.550	3.000	1.312	.500	1.375	2.375	2.375	6.781
	1.375	1"-14 x 1.625	1 3/8"-12 x 1.625	1 1/4"-12 x 1.625	1 1/4"-12 x 2.500	1.999	.625	1.125	3.500	1/2	-8	.625	1.750	1.500	.531	.750	4.750	.500	5/8"-11	3.000	3.000	2.550	3.000	1.312	.500	1.625	2.625	2.625	7.031
3.250	1.750	1 1/4"-12 x 2.000	1 3/4"-12 x 2.250	1 1/2"-12 x 2.000	1 1/2"-12 x 3.000	2.374	.750	1.500	4.500	3/4	-12	.750	2.000	1.750	.656	.938	5.500	.750	3/4"-10	3.875	3.500	3.250	3.500	1.500	.625	1.625	2.750	2.750	7.906
	2.000	1 1/2"-12 x 2.250	2"-12 x 2.250	1 3/4"-12 x 2.250	1 3/4"-12 x 3.500	2.624	.875	1.688	5.000	3/4	-12	.875	2.000	1.750	.656	.938	5.750	.750	1"-8	4.750	3.750	3.820	3.750	2.062	.625	1.875	3.000	3.000	8.156
4.000	1.750	1 1/4"-12 x 2.000	1 3/4"-12 x 2.000	1 1/2"-12 x 2.000	1 1/2"-12 x 3.000	2.374	.750	1.500	5.000	3/4	-12	.875	2.000	1.750	.656	.938	5.750	.750	1"-8	4.750	3.750	3.820	3.750	2.062	.625	1.875	3.000	3.000	8.406
	2.000	1 1/2"-12 x 2.250	2"-12 x 2.250	1 3/4"-12 x 2.250	1 3/4"-12 x 3.500	2.624	.875	1.688	5.000	3/4	-12	.875	2.000	1.750	.656	.938	5.750	.750	1"-8	4.750	3.750	3.820	3.750	2.062	.625	2.000	3.125	3.125	8.531
5.000	2.500	1 7/8"-12 x 3.000	2 1/2"-12 x 3.000	2 1/4"-12 x 3.000	2 1/4"-12 x 4.500	3.124	1.000	2.062	6.500	3/4	-12	.875	2.000	1.750	.875	1.312	6.250	1.000	1"-8	6.000	4.250	4.950	4.250	2.938	.875	2.000	3.125	3.125	9.250
	3.000	2 1/4"-12 x 3.500	3"-12 x 3.500	2 3/4"-12 x 3.500	2 3/4"-12 x 5.500	3.749	1.000	2.625	6.500	3/4	-12	.875	2.000	1.750	.875	1.312	6.250	1.000	1"-8	6.000	4.250	4.950	4.250	2.938	.875	2.250	3.375	3.375	9.500
6.000	3.500	2 1/2"-12 x 3.500	3 1/2"-12 x 3.500	3 1/4"-12 x 3.500	3 1/4"-12 x 6.500	4.249	1.000	3.000	7.500	1	-16	1.000	2.250	2.250	1.000	1.500	7.375	1.125	1 1/4"-7	7.000	4.875	5.730	5.125	3.312	1.000	2.250	3.500	3.500	10.750
	4.000	3"-12 x 4.000	4"-12 x 4.000	3 3/4"-12 x 4.000	3 3/4"-12 x 7.500	4.749	1.000	3.375	7.500	1	-16	1.000	2.250	2.250	1.000	1.500	7.375	1.125	1 1/4"-7	7.000	4.875	5.730	5.125	3.312	1.000	2.250	3.500	3.500	10.750

NEVA DESIGN

FILE: HP16S2.dwg REV: 09-25-06