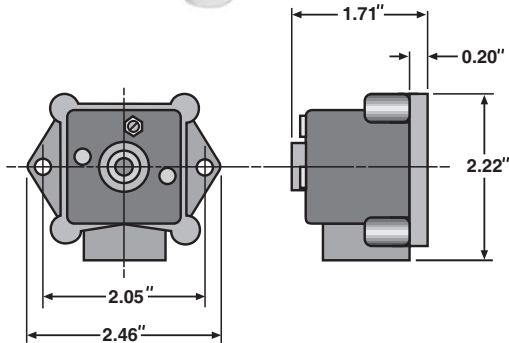


A Dependable Pressure-Sensing Device that Converts a set Hydraulic Pressure to an electrical Signal - up to THREE Signals in a Single Switch.



Technical Specifications

Operating Characteristics:

- Adjustable Range: 300 PSI to 2,600 PSI
- Pressure Reset: 125 PSI to 300 PSI, nominal
- Rated Pressure 4,000 PSI
- Burst Pressure: 12,000 PSI
- Temperature Rating: -20° F to 160° F
- Repeatability: 2% of set pressure

Electrical Characteristics:

- U.L. Listed Switching Elements
- Rating: 4 amps, 250 VAC / 3 amps, 12 VDC

Options:

- Second and Third Independently adjustable switches
- Factory pre-set to specified pressures
- 200 PSI to 1,250 PSI range (L) (125 PSI to 200 PSI reset)
- 500 PSI to 4,000 PSI range (H), High cycle unit (300 PSI to 450 PSI reset)

Pressure Switch Wiring Instructions:

	Switch #1	Switch #2	Switch #3
Normally Open	Red	Red w/1 Yellow Stripe	Red w/2 Yellow Stripes
Common	White	White w/1 Yellow Stripe	White w/2 Yellow Stripes
Normally Closed	Black	Black w/1 Yellow Stripe	Black w/2 Yellow Stripes

Pressure Switch is tested but NOT pre-set.

NOTE: factory will pre-set pressure for a nominal charge
Important! Lock nut torque range: 6 - 8 in lbs.

How to order:

- PS-400-115 Single Switch Assembly
NEMA 12 Enclosure, Viton Seals,
300 - 2,600 PSI Range.
- PS-400-215 Double Switch Assembly
NEMA 12 Enclosure, Viton Seals,
300 - 2,600 PSI Range.
- PS-400-315 Triple Switch Assembly
NEMA 12 Enclosure, Viton Seals,
300 - 2,600 PSI Range.

To specify pre-set pressure(s), note setting(s) after part number.

For optional operating ranges specify (L) or (H) after part number.

5

- 1. Triple Versatility.** As many as three switching elements can be independently adjusted over the full PS-400 pressure range.
- 2. Fluid Compatibility.** Viton seal with Teflon back-up ring compatible with most hydraulic fluids.
- 3. Easy Pressure Adjustment.** External adjustment nut is easily accessible for quick pressure reset.
- 4. Save Plumbing Cost.** Single pressure tap (1/8" NPT female) serves all three piston mounted microswitches.
- 5. Oil Tight Case (NEMA 12)**
- 6. Standard Conduit Connection.** 1/2" NPT female.
- 7. Easy Installation.** Two mounting holes provided for No. 10 screws.
- 8. Positive Locking.** Pressure Adjusting Screw.