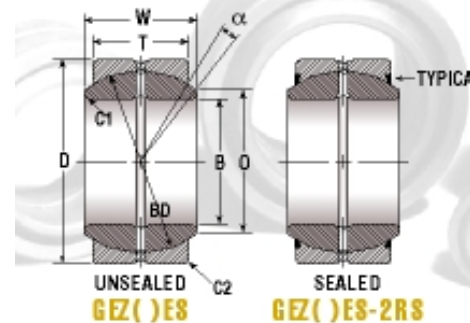




request a quote

**Spherical Plain Bearings:**

- ◀ **inch series**
- metric series
- interchange tables
- engineering

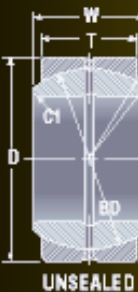


- **Series Interchange**
- **Numeric Interchange**

◀ Back More Inch ▶

**LOAD SERIES STANDARD DUTY INCH UNSEALED & SEALED**

Ball Bore Diam. B			Part No. RFQ per item		Outside Diam (1) D		Ball Width W		Race Width T		Ball Diam BD	Tilt Angle (2) alpha	Shldr Diam O	Shaft Fillet C1	Hsng Fillet C2	Radial Loads (3)	
Frac	Nom	Tol	Without Seals	With Seals add:	Nom	Tol	Nom	Tol	Nom	Tol	Ref	Deg	Ref	Max	Max	Static	Dyn
1/2	.500	-.0005	<a href="#">GEZ12ES</a>	—	.8750	-.0005	.437	-.005	.375	-.005	.719	6	.539	.005	.023	9,337	3,156
5/8	.625	-.0005	<a href="#">GEZ15ES</a>	—	1.0625	-.0005	.547	-.005	.469	-.005	.899	6	.669	.005	.039	14,732	4,864
3/4	.750	-.0005	<a href="#">GEZ19ES</a>	<a href="#">-2RS</a>	1.2500	-.0005	.656	-.005	.562	-.005	1.080	6	.823	.011	.039	20,927	7,089
7/8	.875	-.0005	<a href="#">GEZ22ES</a>	<a href="#">-2RS</a>	1.4375	-.0005	.765	-.005	.656	-.005	1.258	6	.953	.011	.039	28,573	9,565
1	1.000	-.0005	<a href="#">GEZ25ES</a>	<a href="#">-2RS</a>	1.6250	-.0005	.875	-.005	.750	-.005	1.437	6	1.083	.011	.039	37,359	12,605
1 1/4	1.250	-.0005	<a href="#">GEZ31ES</a>	<a href="#">-2RS</a>	2.0000	-.0005	1.093	-.005	.937	-.005	1.795	6	1.370	.023	.039	58,507	19,468
1 3/8	1.375	-.0005	<a href="#">GEZ34ES</a>	<a href="#">-2RS</a>	2.1875	-.0006	1.187	-.005	1.031	-.005	1.937	5	1.500	.023	.039	69,756	23,404
1 1/2	1.500	-.0005	<a href="#">GEZ38ES</a>	<a href="#">-2RS</a>	2.4375	-.0006	1.312	-.005	1.125	-.005	2.155	6	1.630	.023	.039	84,379	28,129
1 3/4	1.750	-.0005	<a href="#">GEZ44ES</a>	<a href="#">-2RS</a>	2.8125	-.0006	1.531	-.005	1.312	-.005	2.515	6	1.909	.023	.039	114,752	38,255
2	2.000	-.0005	<a href="#">GEZ50ES</a>	<a href="#">-2RS</a>	3.1875	-.0006	1.750	-.005	1.500	-.005	2.875	6	2.169	.023	.039	150,754	50,408
2 1/4	2.250	-.0006	<a href="#">GEZ57ES</a>	<a href="#">-2RS</a>	3.5625	-.0008	1.969	-.005	1.687	-.005	3.235	6	2.429	.023	.039	191,251	63,002
2 1/2	2.500	-.0006	<a href="#">GEZ63ES</a>	<a href="#">-2RS</a>	3.9375	-.0008	2.187	-.005	1.875	-.005	3.590	6	2.689	.023	.039	234,007	77,629
2 3/4	2.750	-.0006	<a href="#">GEZ69ES</a>	<a href="#">-2RS</a>	4.3750	-.0008	2.406	-.005	2.062	-.005	3.950	6	2.949	.023	.039	285,752	95,628
3	3.000	-.0006	<a href="#">GEZ76ES</a>	<a href="#">-2RS</a>	4.7500	-.0008	2.625	-.005	2.250	-.005	4.312	6	3.205	.023	.039	337,506	112,505
3 1/4	3.250	-.0008	<a href="#">GEZ82ES</a>	<a href="#">-2RS</a>	5.1250	-.0010	2.844	-.005	2.437	-.005	4.675	6	3.465	.023	.039	396,009	131,626
3 1/2	3.500	-.0008	<a href="#">GEZ88ES</a>	<a href="#">-2RS</a>	5.5000	-.0010	3.062	-.005	2.625	-.005	5.040	6	3.724	.023	.039	459,001	153,003
3 3/4	3.750	-.0008	<a href="#">GEZ95ES</a>	<a href="#">-2RS</a>	5.8750	-.0010	3.281	-.005	2.812	-.005	5.390	6	3.984	.023	.039	531,004	175,507
4	4.000	-.0008	<a href="#">GEZ101ES</a>	<a href="#">-2RS</a>	6.2500	-.0010	3.500	-.005	3.000	-.005	5.750	6	4.252	.023	.039	596,256	202,508
4 1/2	4.500	-.0008	<a href="#">GEZ114ES</a>	<a href="#">-2RS</a>	7.0000	-.0010	3.937	-.005	3.375	-.005	6.475	6	4.823	.039	.043	765,002	252,006
4 3/4	4.750	-.0008	<a href="#">GEZ120ES</a>	<a href="#">-2RS</a>	7.3750	-.0012	4.156	-.005	3.562	-.005	6.825	6	5.079	.039	.043	843,754	281,254



UNSEALED



SEALED

5	5.000	-.0010	<b>GEZ127ES</b>	<b>-2RS</b>	7.7500	-.0012	4.375	-.005	3.750	-.005	7.190	6	5.335	.039	.043	933,755	315,009
6	6.000	-.0010	<b>GEZ152ES</b>	<b>-2RS</b>	8.7500	-.0012	4.750	-.005	4.125	-.005	8.156	5	6.339	.039	.043	1,170,002	389,257
Frac	Nom	Tol	Without Seals	With Seals add	Nom	Tol	Nom	Tol	Nom	Tol	Ref	Deg	Ref	Max	Max	Static	Dyn
Ball Bore Diam. B			<b>Part No. RFQ per item</b>		Outside Diam (1) D		Ball Width W		Race Width T		Ball Diam BD	Tilt Angle (2) $\alpha$	Shldr Diam O	Shaft Fillet C1	Hsng Fillet C2	Radial Loads (3)	

- (1) All tolerances in this catalog are before the outer races are fractured and before application of dry film lubricant
- (2) Seals may reduce tilt angle
- (3) Ultimate loads for the bearings in this catalog are approximately 1.5 times the catalog load ratings

#### GENERAL SERIES INTERCHANGE • LOAD SERIES STANDARD DUTY INCH UNSEALED & SEALED

BEARING TYPE		NATIONAL	R.B.C.	SKF	TORRINGTON	ELGES	IKO
Standard Duty	Unsealed	<b>GEZ ( ) ES</b>	B ( ) -L	GEZ ( ) ES	( ) SF ( )	GE ( ) Z0	SBB ( )
	Sealed	GEZ ( ) ES-2RS	B ( ) -LSS	GEZ ( ) ES-2RS	( ) SF ( ) -TT	GE ( ) Z0-2RS	SBB ( ) -2RS

- For numeric bore size conversion between manufacturers see numerical interchange table.



## NATIONAL PRECISION BEARING GROUP of Mechatronics, Inc.

Phone: 800-426-8038 • 425-222-5900 • Fax: 888-448-1153 • 425-222-5950

E-mail: [sales@nationalprecision.com](mailto:sales@nationalprecision.com)

[Purchase Order Terms and Conditions](#)

[Sales Order Terms and Conditions](#)

Copyright © 2008, National Precision Bearing, Inc.