



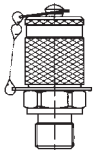
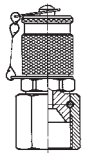
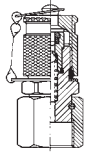
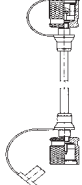
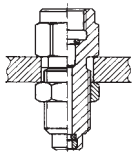
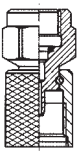


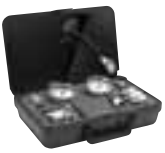

Test Points

Test Points

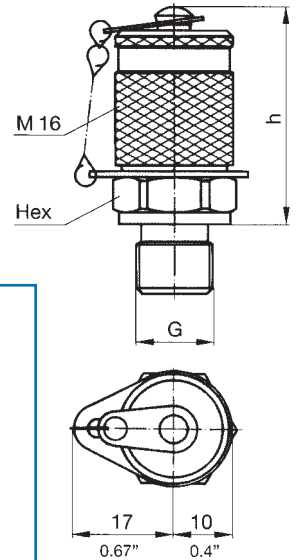
For those times when you need a quick coupling to monitor and control pressure, vent a system or draw samples, look to Brennan. The company that offers more hydraulic fittings than anyone now offers Test Point fittings to let you test systems at working pressures. They're ideal for hydraulic oils and other mineral-based fluids used in off-road mobile equipment.

Test Point fittings connect easily to measurement, control and switching devices, so you can make connections quickly. The connection is leak-proof before the ball check is open to minimize contamination of the hydraulic system. A self-locking metal cap further protects the system.

Brennan offers Test Point fittings in a wide range of styles and sizes. All are in stock now and available for immediate delivery. And all feature the same consistent quality you've come to expect from Brennan.

 <p>Test Coupling DP - Male</p>	 <p>Test Coupling DP - FJIC</p>	 <p>Test Coupling DP - FORFS</p>	 <p>Test Hose DTH</p>	 <p>Gauge Adaptor DGA</p>	 <p>Direct Gauge Adaptor DDGA</p>
 <p>Pressure Gauge DG</p>	 <p>Single Gauge Kit DSGK</p>	 <p>Double Gauge Kit DDGK</p>	 <p>Triple Gauge Kit DTGK</p>		

Test Coupling with Protective Cap DP

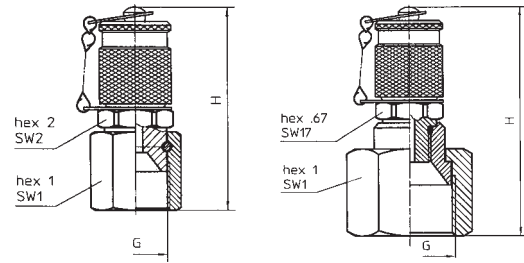


Thread G	h mm/in	Hex mm/in	Brennan Order No.	Description	Seal Type (see below)
1/8 NPT M	36 / 1.42	17 / 0.67	DP2404-02	DTP to MNPT	Taper Type D
1/4 NPT M	35 / 1.38	17 / 0.67	DP2404-04	DTP to MNPT	Taper Type D
5/16-24 UNF	38 / 1.50	17 / 0.67	DP6400-03-0	DTP to MORB	O-Ring Type E
7/16-20 UNF	38 / 1.50	17 / 0.67	DP6400-04-0	DTP to MORB	O-Ring Type E
1/2-20 UNF	38 / 1.50	17 / 0.67	DP6400-05-0	DTP to MORB	O-Ring Type E
9/16-18 UNF	37 / 1.46	19 / 0.75	DP6400-06-0	DTP to MORB	O-Ring Type E
1/8 BSPP M	39 / 1.54	17 / 0.67	DP7002-02-PO	DTP to MBSPP	O-Ring Type C
1/4 BSPP M	37 / 1.46	19 / 0.75	DP7002-04	DTP to MBSPP	Metal Joint Type B
1/4 BSPP M	37 / 1.46	19 / 0.75	DP7002-04-PO	DTP to MBSPP	O-Ring Type C
3/8 BSPP M	37 / 1.46	22 / 0.87	DP7002-06	DTP to MBSPP	Metal Joint Type B
1/8 BSPT M	37 / 1.46	17 / 0.67	DP7000-02	DTP to MBSPT	Taper Type D
1/4 BSPT M	36 / 1.42	17 / 0.67	DP7000-04	DTP to MBSPT	Taper Type D
M08 x 1.0	37 / 1.46	17 / 0.67	DP7005-08	DTP to MMETRIC	O-Ring Type A
M10 x 1.0	37 / 1.46	17 / 0.67	DP7005-10	DTP to MMETRIC	O-Ring Type A
M12 x 1.5	37 / 1.46	17 / 0.67	DP7005-12	DTP to MMETRIC	O-Ring Type C
M14 x 1.5	37 / 1.46	19 / 0.75	DP7005-14	DTP to MMETRIC	Metal Joint Type B
M16 x 1.5	37 / 1.46	22 / 0.87	DP7005-16	DTP to MMETRIC	Metal Joint Type B

Port Connections and Seals

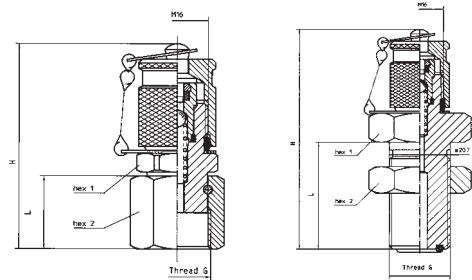
Type A				Type B					Type C					Type D			Type E						
G	d ₁ mm in	t ₁ mm in	t ₂ mm in	G	d ₁ mm/ in	t ₁ mm/ in	t ₂ mm/ in	a mm/ in	G	d ₁ mm/ in	t ₁ mm/ in	t ₂ mm/ in	a mm/ in	G	t ₁ mm in	t ₂ mm in	G	d ₁ mm in	d ₂ mm in	t ₁ mm in	t ₂ mm in	a mm in	
M08 x 1.0	9.5 +0.1 0.37	11 0.43	15.5 0.61	M14 x 1.5	20 0.79	12 0.47	18.5 0.73	1.5 0.06	M12 x 1.5	18 0.71	12 0.47	18.5 0.73	1.5 0.06	1/8 BSPT M	5.5 0.22	9.5 0.37		5/16-24 UNF	9.1 0.36	17 0.67	10 0.39	12 0.47	1.9 0.07
M10 x 1.0	11.5 +0.1 0.45	12 0.47	16.5 0.65	M16 x 1.5	22 0.87	12 0.47	18.5 0.73	1.5 0.06	1/8 BSPP M	15 0.59	8 0.31	13 0.51	1.0 0.04	1/4 BSPT M	8.5 0.33	13.5 0.53		7/16-20 UNF	12.4 0.49	21 0.83	11.5 0.45	14 0.55	2.4 0.09
				1/4 BSPP M	19 0.75	12 0.47	18.5 0.73	1.5 0.06	1/4 BSPP M	19 0.75	12 0.47	18.5 0.73	1.5 0.06	1/8 NPT M	6.9 0.27	11.6 0.46		1/2-20 UNF	14 0.55	23 0.91	11.5 0.45	14 0.55	2.4 0.09
				3/8 BSPP M	23 0.91	12 0.47	18.5 0.73	2 0.08						1/4 NPT M	10 0.39	16.4 0.65		9/16-18 UNF	15.6 0.61	25 0.98	12.7 0.50	15.5 0.61	2.5 0.10

Test Coupling DP – JIC Connection



Pipe Size Inch	JIC Size	G UNF	H		Hex		Type	Brennan Order No.	Description
			mm	inch	1	2			
1/4"	-4	7/16-20 UNF	52	2.0	17	17	1	DP6504-04	DTP to FJICS
5/16"	-5	1/2-20 UNF	53	2.0	17	17	1	DP6504-05	DTP to FJICS
3/8"	-6	9/16-18 UNF	55	2.1	19	17	1	DP6504-06	DTP to FJICS
1/2"	-8	3/4-16 UNF	56	2.2	22	19	1	DP6504-08	DTP to FJICS
5/8"	-10	7/8-14 UNF	59	2.3	27	22	1	DP6504-10	DTP to FJICS
3/4"	-12	1-1/16-12 UNF	70	2.7	32	–	2	DP6504-12	DTP to FJICS
1"	-16	1-5/16-12 UNF	69	2.7	38	–	2	DP6504-16	DTP to FJICS
1-1/4"	-20	1-5/8-12 UNF	72	2.8	50	–	2	DP6504-20	DTP to FJICS
1-1/2"	-24	1-7/8-12 UNF	75	2.9	60	–	2	DP6504-24	DTP to FJICS

Test Coupling DPF – ORFS Connection



Brennan Order No.	Description	Thread G	H		L		Hex 1		Hex 2	
			mm	in	mm	in	mm	in	mm	in
DPFS6504-04	DTPS to FFS	9/16-18 UNF	75	2.9	36	1.40	22	0.87	22	0.87
DPFS6504-06	DTPS to FFS	11/16-16 UNF	75	2.9	36	1.40	27	1.06	27	1.06

Test Hose DTH

Length L ₁	Brennan Order No.	Description	Thread
12"	DTH-12	DTH	M16 X 2.0 (BOTH ENDS)
24"	DTH-24	DTH	M16 X 2.0 (BOTH ENDS)
36"	DTH-36	DTH	M16 X 2.0 (BOTH ENDS)
48"	DTH-48	DTH	M16 X 2.0 (BOTH ENDS)
60"	DTH-60	DTH	M16 X 2.0 (BOTH ENDS)
72"	DTH-72	DTH	M16 X 2.0 (BOTH ENDS)
96"	DTH-96	DTH	M16 X 2.0 (BOTH ENDS)
120"	DTH-120	DTH	M16 X 2.0 (BOTH ENDS)

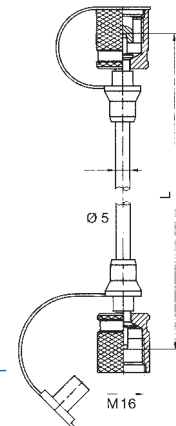
Custom lengths available on request
Bending protection and other lengths on request

- Max. working pressure: 9000 PSI (630 bar)
- Test hose: Nominal bore 0.08" (2 mm)
- Minimum bending radius: 0.75" (20 mm)
- Nominal bore 0.16", 4 mm also available.

Pressure / t° factor:

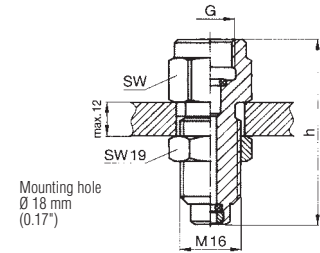
to	0°C	122%
at	30°C	110%
at	50°C	100%
at	80°C	86%
at	100°C	77%

- Hose construction: Hose-core and –cover PA.
- Reinforcement: Synthetic fibre.
- Bursting pressure: 27,000 PSI (1900 bar)



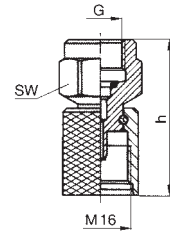
Gauge Adaptor DGA

G Thread	h mm/in	SW mm/in	Brennan Order No.	Description
1/4 NPT	54 / 2.12	19 / .75	DGA2404-04	DGA – FNPT
1/4 BSPP	54 / 2.12	19 / .75	DGA7002-04	DGA – FBSPP
1/2 BSPP	64 / 2.52	27 / 1.06	DGA7002-08	DGA – FBSPP



Direct Gauge Adaptor DDG

G Thread	h mm/in	SW mm/in	Brennan Order No.	Description
1/4 NPT	41 / 1.61	19 / .75	DDGA2404-04	DDG – FNPT
1/4 BSPP	41 / 1.61	19 / .75	DDGA7002-04	DDG – FBSPP
1/2 BSPP	51 / 2.0	27 / 1.06	DDGA7002-08	DDG – FBSPP



Pressure Gauges

Standard Stock Pressure Ranges

Brennan Order No.	St. Steel 63 Series Stem	St. Steel 63 Series Panel	St. Steel 100 Series Stem	St. Steel 100 Series Panel	Forged Bronze 63 Series Stem
DG-15-30	•	•	•	•	•
DG-600	•	•	•	•	•
DG-1000	•	•	•	•	•
DG-7500	•	•	•	•	•

Specifications

- Glycerine Filled for Accuracy
- Copper Alloy Bourden Tube
- Dual Scales
- Built-in Relief Valve
- Operating Temperatures
Ambient: -4°F to 140°F (-20°C to 60°C)
Media: 140°F (+60°C)
- Acrylic Lens
- Accuracy + 1.5% of Full Scale
- Built-in Snubber



Series	Style	Size		A	B	C	D	E	F	G
Stainless Steel	Stem Mount	2-1/2"	in mm	2.5 63	2.1 53	1.2 31	0.51 13	0.26 6.5	– –	– –
	Panel Mount U-Bolt	2-1/2"	in mm	2.5 63	2.8 72	2.4 62	1.2 31	0.26 6.5	– –	– –
	Panel Mount Front Flange	2-1/2"	in mm	3.3 85	2.9 75	2.5 63	2.44 62	1.2 31	0.08 2	0.08 2
	Stem Mount	4"	in mm	4.2 107	3.4 86	1.85 47	0.3 7.5	0.64 16.3	– –	– –
	Panel Mount U-Bolt	4"	in mm	4.2 107	4.25 108	3.15 80	1.85 47	0.3 7.5	– –	– –
	Panel Mount Front Flange	2-1/2"	in mm	5.2 132	4.7 118	4.2 107	3.15 80	1.85 47	0.05 1.25	0.3 7.5
Forged Bronze	Stem Mount	2-1/2"	in mm	2.5 63.5	2.13 54	1.5 38	0.44 11	0.50 12.2	– –	– –

Complete Pressure Test Kits

Brennan Test pressure monitoring kits are available pre-assembled with an assortment of our most popular components. Everything required for instant pressure checking is included in one rugged box. Gauges are safely nestled in the Ethafoam® cushion and hoses fit neatly in the lid.



Single Gauge Kit DSGK

- 1, 60-inch Hose Assembly
- 1, Direct Gauge Adaptor
- 1, Union
- 1, 7500 PSI Gauge
- 2, 1/8 NPT Pressure Test Coupling
- 3, 1/4 NPT Pressure Test Coupling
- 2, 7/16 UNF Pressure Test Coupling
- 2, 9/16 UNF Pressure Test Coupling

Double Gauge Kit DDGK

- 1, 60-inch Hose Assembly
- 1, Direct Gauge Adaptor
- 1, Union
- 1, 7500 PSI Gauge
- 1, 1000 PSI Gauge
- 2, 1/8 NPT Pressure Test Coupling
- 2, 1/4 NPT Pressure Test Coupling
- 1, 7/16 UNF Pressure Test Coupling
- 1, 9/16 UNF Pressure Test Coupling

Triple Gauge Kit DTGK

- 2, 60-inch Hose Assembly
- 3, Direct Gauge Adaptor
- 2, Union
- 1, -15" Hg-0-30 PSI Gauge
- 1, 7500 PSI Gauge
- 1, 1000 PSI Gauge
- 2, 1/8 NPT Pressure Test Coupling
- 2, 1/4 NPT Pressure Test Coupling
- 1, 7/16 UNF Pressure Test Coupling
- 1, 9/16 UNF Pressure Test Coupling

Custom Kits are easily supplied to your specific needs. OEMs in particular find this convenient for technicians and as an aftermarket service tool. Custom labels, foam inserts and boxes are available in quantity.